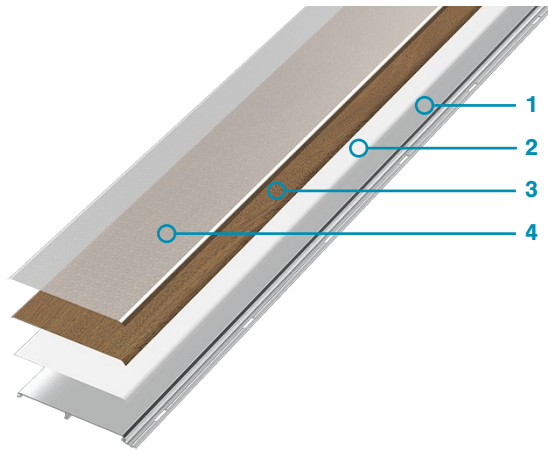
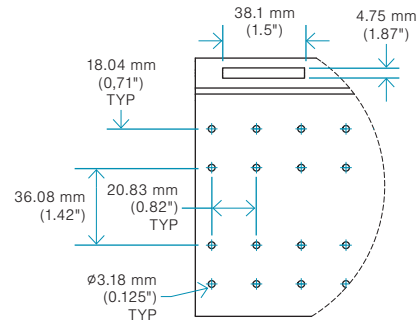
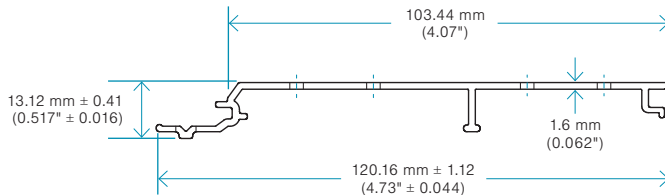


**TECHNICAL DATA SHEET**

Aluminum siding  
MAE Series

# 4F Vented plank



**1. ALUMINUM**

6063-T5 Aluminum extrusion 0.062" (1.60 mm) thick, recognized as the industry's first choice for its exceptional durability.

Oblong holes 1.5" x 0.187" (38.1 mm x 4.75 mm), all being repeated every 8" (203 mm) to allow a fast and easy screw insertion.

All sizes of profiles interlock with each other with simple tongue and groove mating system. (see Detail A)

In every 16 foot soffit plank, there are 11.5 square inches (74 square cm) of ventilation.

**2. PRIMER COAT**

Specially formulated primer coat ±1.2 mils (30.48 µm) thick assures optimal adhesion between aluminum and ink.

**3. HD PRINTING**

High-definition digital inkjet print ±1mil (25.4µm) thick of a wide range of textures with outstanding color variations.

**4. CLEAR COAT**

A protective clear coat ±1.2 mils (30.48 µm) thick is applied to provide long-term protection against fading.

## General Specifications

**MODEL**

FP-04FV-1601

**LENGTH**

16 ft | 4.87 m

**PRODUCT**

4 in Vented Plank - Flat profil

**MATERIAL**

6063-T5 aluminum

**WEIGHT**

Per plank : 3.28 kg | 7.23 lb

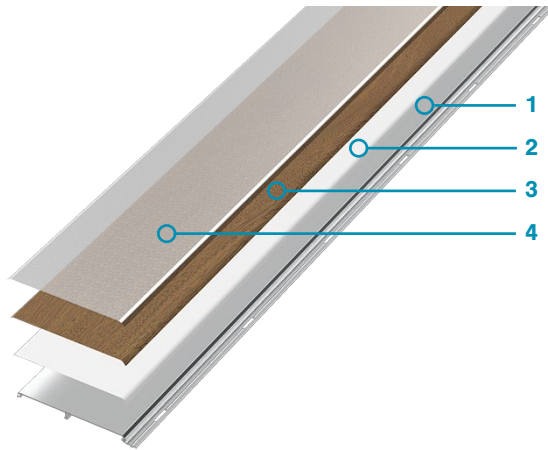
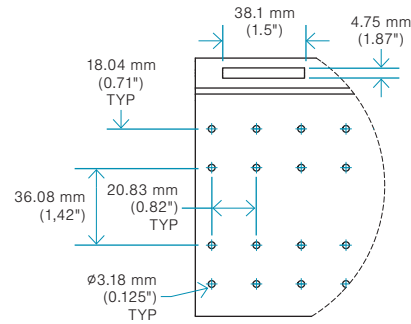
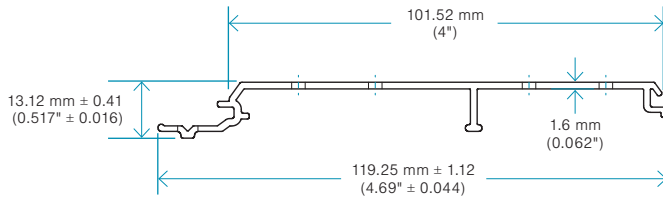
**TESTS AND CERTIFICATIONS\***

- CAN/ULC S102 - Fire Resistance
- CAN/ULC S114 - Fire Resistance
- ASTM E84 - Fire Resistance
- NFPA 285 - Fire Resistance
- ISO 7895 - Impact Resistance
- ASTM D3359 - Adhesion Testing
- ASTM D6578 - Graffiti Resistance
- ASTM G155 - UV Resistance
- ISO 7895 / ASTM E330 - Wind load
- ASTM E1592 - Wind load
- ASTM D4060 (CS-17) - Abrasion Resistance
- LEED V4

**TECHNICAL DATA SHEET**

Aluminum siding  
MAE Series

# 4V Vented plank



**1. ALUMINUM**

6063-T5 Aluminum extrusion 0.062" (1.60 mm) thick, recognized as the industry's first choice for its exceptional durability.

Oblong holes 1.5" x 0.187" (38.1 mm x 4.75 mm), all being repeated every 8" (203 mm) to allow a fast and easy screw insertion.

All sizes of profiles interlock with each other with simple tongue and groove mating system. (see Detail A)

In every 16 foot soffit plank, there are 11.5 square inches (74 square cm) of ventilation.

**2. PRIMER COAT**

Specially formulated primer coat ±1.2 mils (30.48 µm) thick assures optimal adhesion between aluminum and ink.

**3. HD PRINTING**

High-definition digital inkjet print ±1mil (25.4µm) thick of a wide range of textures with outstanding color variations.

**4. CLEAR COAT**

A protective clear coat ±1.2 mils (30.48 µm) thick is applied to provide long-term protection against fading.

## General Specifications

**MODEL**

FP-04VV-1601

**LENGTH**

16 ft | 4.87 m

**PRODUCT**

4 in Vented Plank - V-Groove profil

**MATERIAL**

6063-T5 aluminum

**WEIGHT**

Per plank : 3.25 kg | 7.17 lb

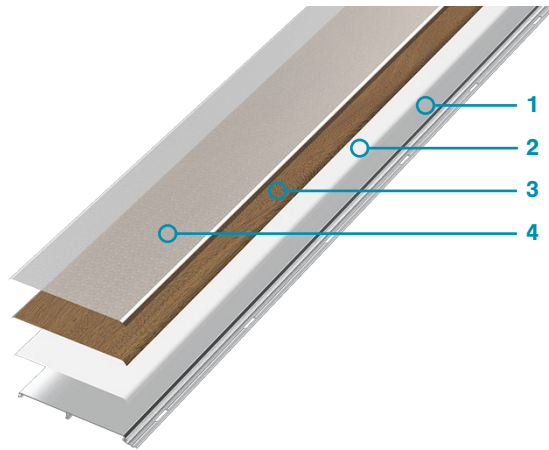
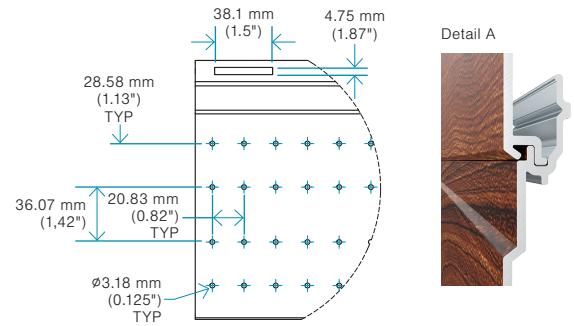
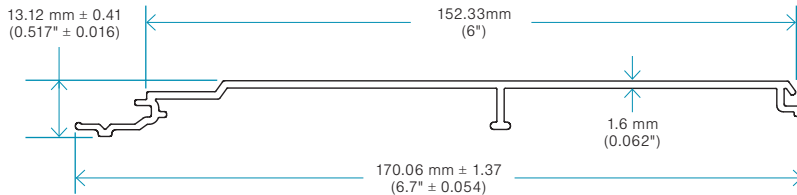
**TESTS AND CERTIFICATIONS\***

- CAN/ULC S102 - Fire Resistance
- CAN/ULC S114 - Fire Resistance
- ASTM E84 - Fire Resistance
- NFPA 285 - Fire Resistance
- ISO 7895 - Impact Resistance
- ASTM D3359 - Adhesion Testing
- ASTM D6578 - Graffiti Resistance
- ASTM G155 - UV Resistance
- ISO 7895 / ASTM E330 - Wind load
- ASTM E1592 - Wind load
- ASTM D4060 (CS-17) - Abrasion Resistance
- LEED V4

TECHNICAL DATA SHEET

Aluminum siding  
MAE Series

# 6C Vented plank



**1. ALUMINUM**

6063-T5 Aluminum extrusion 0.062" (1.60 mm) thick, recognized as the industry's first choice for its exceptional durability.

Oblong holes 1.5" x 0.187" (38.1 mm x 4.75 mm), all being repeated every 8" (203 mm) to allow a fast and easy screw insertion.

All sizes of profiles interlock with each other with simple tongue and groove mating system. (see Detail A)

In every 16 foot soffit plank, there are 11.5 square inches (74 square cm) of ventilation.

**2. PRIMER COAT**

Specially formulated primer coat ±1.2 mils (30.48 µm) thick assures optimal adhesion between aluminum and ink.

**3. HD PRINTING**

High-definition digital inkjet print ±1mil (25.4µm) thick of a wide range of textures with outstanding color variations.

**4. CLEAR COAT**

A protective clear coat ±1.2 mils (30.48 µm) thick is applied to provide long-term protection against fading.

## General Specifications

**MODEL**

FP-06CV-1601

**LENGTH**

16 ft | 4.87 m

**PRODUCT**

6 in Vented Plank - Channel profil

**MATERIAL**

6063-T5 aluminum

**WEIGHT**

Per plank : 4.73 kg | 10.43 lb

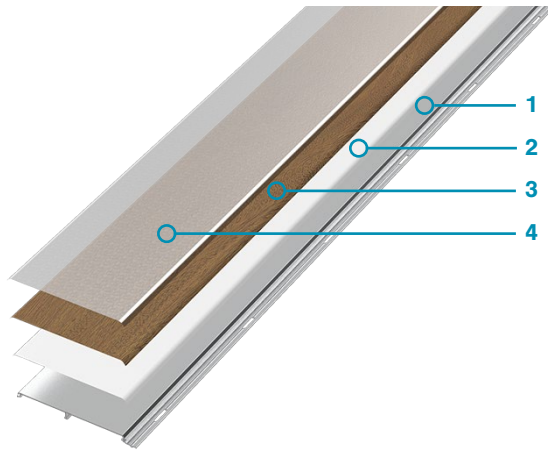
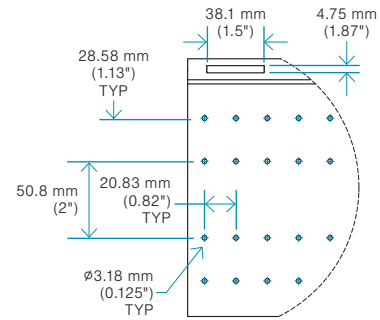
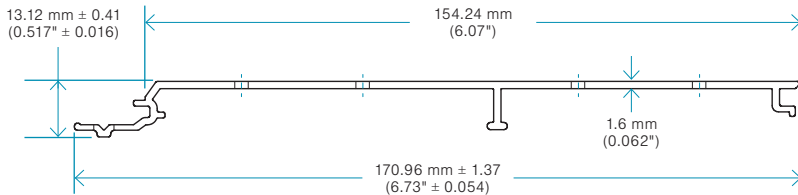
**TESTS AND CERTIFICATIONS\***

- CAN/ULC S102 - Fire Resistance
- CAN/ULC S114 - Fire Resistance
- ASTM E84 - Fire Resistance
- NFPA 285 - Fire Resistance
- ISO 7895 - Impact Resistance
- ASTM D3359 - Adhesion Testing
- ASTM D6578 - Graffiti Resistance
- ASTM G155 - UV Resistance
- ISO 7895 / ASTM E330 - Wind load
- ASTM E1592 - Wind load
- ASTM D4060 (CS-17) - Abrasion Resistance
- Florida Building Code (FBC) compliance
- LEED V4

TECHNICAL DATA SHEET

Aluminum siding  
MAE Series

# 6F Vented plank



**1. ALUMINUM**

6063-T5 Aluminum extrusion 0.062" (1.60 mm) thick, recognized as the industry's first choice for its exceptional durability.

Oblong holes 1.5" x 0.187" (38.1 mm x 4.75 mm), all being repeated every 8" (203 mm) to allow a fast and easy screw insertion.

All sizes of profiles interlock with each other with simple tongue and groove mating system. (see Detail A)

In every 16 foot soffit plank, there are 11.5 square inches (74 square cm) of ventilation.

**2. PRIMER COAT**

Specially formulated primer coat ±1.2 mils (30.48 µm) thick assures optimal adhesion between aluminum and ink.

**3. HD PRINTING**

High-definition digital inkjet print ±1mil (25.4µm) thick of a wide range of textures with outstanding color variations.

**4. CLEAR COAT**

A protective clear coat ±1.2 mils (30.48 µm) thick is applied to provide long-term protection against fading.

## General Specifications

**MODEL**

FP-06FV-1601

**LENGTH**

16 ft | 4.87 m

**PRODUCT**

6 in Vented Plank - Flat profil

**MATERIAL**

6063-T5 aluminum

**WEIGHT**

Per plank : 4.73 kg | 10.43 lb

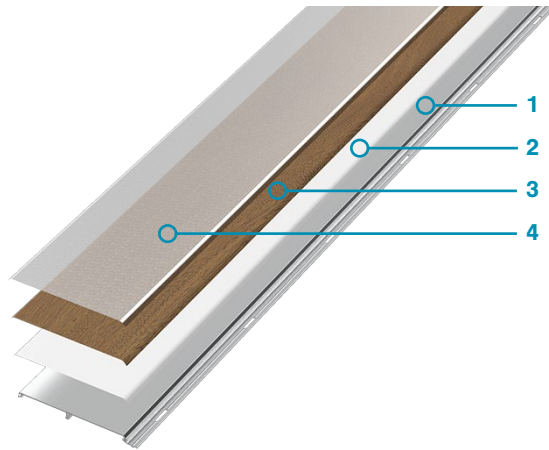
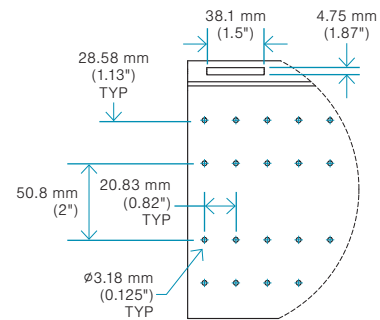
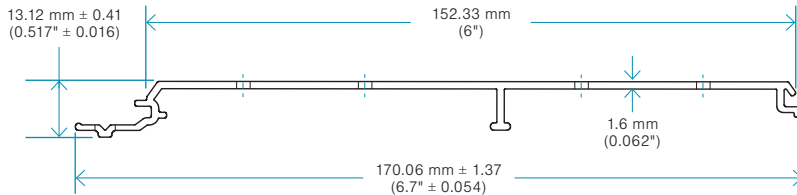
**TESTS AND CERTIFICATIONS\***

- CAN/ULC S102 - Fire Resistance
- CAN/ULC S114 - Fire Resistance
- ASTM E84 - Fire Resistance
- NFPA 285 - Fire Resistance
- ISO 7895 - Impact Resistance
- ASTM D3359 - Adhesion Testing
- ASTM D6578 - Graffiti Resistance
- ASTM G155 - UV Resistance
- ISO 7895 / ASTM E330 - Wind load
- ASTM E1592 - Wind load
- ASTM D4060 (CS-17) - Abrasion Resistance
- Florida Building Code (FBC) compliance
- LEED V4

**TECHNICAL DATA SHEET**

Aluminum siding  
MAE Series

# 6V Vented plank



**1. ALUMINUM**

6063-T5 Aluminum extrusion 0.062" (1.60 mm) thick, recognized as the industry's first choice for its exceptional durability.

Oblong holes 1.5" x 0.187" (38.1 mm x 4.75 mm), all being repeated every 8" (203 mm) to allow a fast and easy screw insertion.

All sizes of profiles interlock with each other with simple tongue and groove mating system. (see Detail A)

In every 16 foot soffit plank, there are 11.5 square inches (74 square cm) of ventilation.

**2. PRIMER COAT**

Specially formulated primer coat ±1.2 mils (30.48 µm) thick assures optimal adhesion between aluminum and ink.

**3. HD PRINTING**

High-definition digital inkjet print ±1mil (25.4µm) thick of a wide range of textures with outstanding color variations.

**4. CLEAR COAT**

A protective clear coat ±1.2 mils (30.48 µm) thick is applied to provide long-term protection against fading.

## General Specifications

**MODEL**

FP-06VV-1601

**LENGTH**

16 ft | 4.87 m

**PRODUCT**

6 in Vented Plank - V-Groove profil

**MATERIAL**

6063-T5 aluminum

**WEIGHT**

Per plank : 4.69 kg | 10.34 lb

**TESTS AND CERTIFICATIONS\***

- CAN/ULC S102 - Fire Resistance
- CAN/ULC S114 - Fire Resistance
- ASTM E84 - Fire Resistance
- NFPA 285 - Fire Resistance
- ISO 7895 - Impact Resistance
- ASTM D3359 - Adhesion Testing
- ASTM D6578 - Graffiti Resistance
- ASTM G155 - UV Resistance
- ISO 7895 / ASTM E330 - Wind load
- ASTM E1592 - Wind load
- ASTM D4060 (CS-17) - Abrasion Resistance
- Florida Building Code (FBC) compliance
- LEED V4