



Architectural Aluminum

From Nature to Architecture

RICHNESS OF WOOD WITH MINIMAL MAINTENANCE



129-01 CANARY WOOD – NATURAL
6" PLANK – V-GROOVE PROFILE
HILLSBORO, OR USA

Have you ever wondered why
Maibec Architectural Aluminum products
look like **REAL WOOD?**

We scanned high definition images of real wood planks.
After software processing these are digitally
inkjet printed on **ALUMINUM.**



**STATE OF THE ART
EQUIPMENT, PROCESSES
AND TECHNOLOGIES**

High-definition digital inkjet printing of photographs on aluminum

A WORLD OF STYLES & COLORS

OUR STATEMENT TO THE ARCHITECTURAL WORLD

CREATE
YOUR
OWN
SIGNATURE



MAIBEC technology allows for an infinite choice of styles and colors.

We have developed a guide, featuring favorite wood textures, and more.

There is always a style with multiple colors to match your needs. Personalized styles and colors are available upon request.

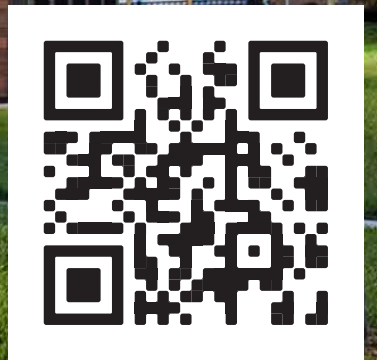
To select and make your choice, see our website alu.maibec.com.

To order your sample or the MAIBEC Styles and Colors guide, please contact visit our website alu.maibec.com or call 1 888 883-4925.

ALUMINUM PLANKS

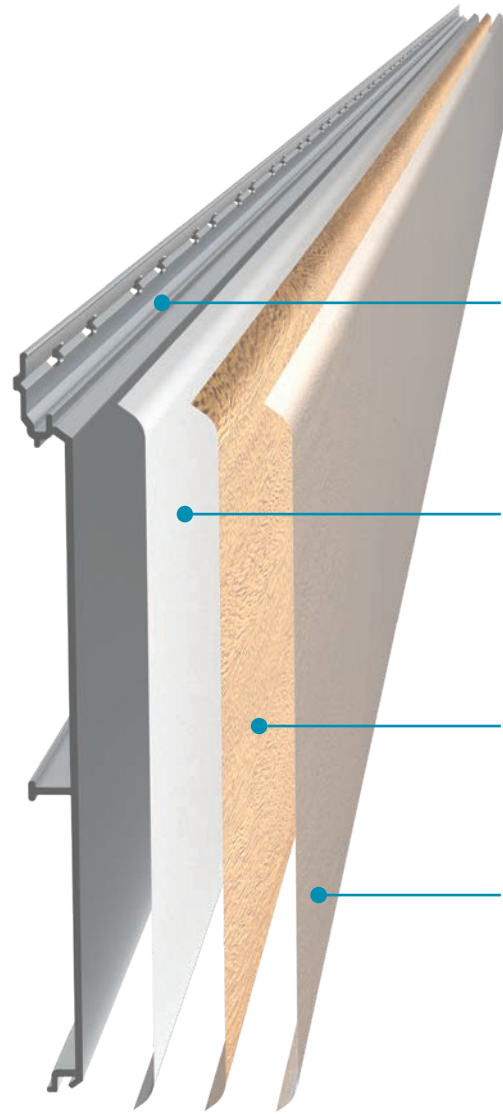


204-02 JATOBA – VARIEGATED DARK
6" PLANK – V-GROOVE PROFILE
CREVE COEUR, MO USA



PROCESS

BUILT TO LAST



ALUMINUM

All MAIBEC products are made of heavy-duty extruded aluminum, recognized in the industry as the first choice due to its exceptional durability.

AAMA 2604 CERTIFIED PRIMER

A primer coat is applied to ensure adhesion between aluminum and ink, all in accordance with AAMA 2604.

HD INKJET PRINTING

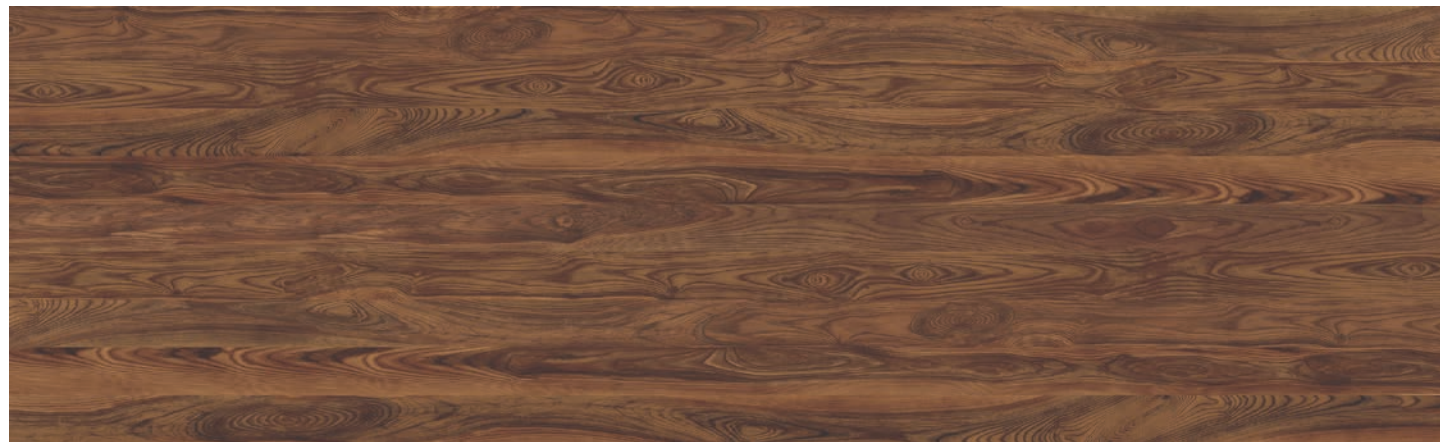
High-definition digital inkjet prints of a wide range of textures with outstanding color variations.

CLEAR COAT

A protective clear coat is applied to provide long-term protection against fading.

MAIBEC EXCLUSIVE PRINTING PROCESS

MAIBEC aluminum products meet the highest standards of the industry. All styles are printed using a minimum of **9 scanned images of various wood planks**. Our exclusive digital printing process offers stunning images of different planks in order to avoid repetition.



Above, a random assembly of 9 different, 16 foot long planks with our 210-04 WHITE ASH – Caramel.

PROFILES

F profile

4", 6", 8" - Flat



V profile

3", 4", 6" - V-Groove



C profile

6" - Channel



TRIMS & ACCESSORIES



Vented Plank
4" or 6"
F or V profiles



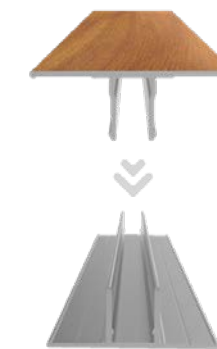
J-trim **1"**



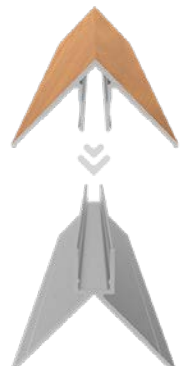
J-trim **1.75"**



Starter Trim



H-trim



Outside Corner

ENDLESS DESIGN POSSIBILITIES



204-01 JATOBA – VARIEGATED LIGHT
6" PLANK – V-GROOVE PROFILE
ANNA MARIA, FL USA

Installations shown
ceiling, wall and barn door.



205-04 IPE - VARIEGATED CARAMEL
6" PLANK - V-GROOVE & FLAT PROFILES
MONTRÉAL, QC CANADA
HUT ARCHITECTURE



212-02 PERUVIAN WALNUT – BROWN
8" PLANK – FLAT PROFILE
HUNTINGTON, IN USA



210-01 WHITE ASH – MEDIUM BROWN
6" PLANK – V-GROOVE PROFILE
ST LOUIS PARK, MN USA



101-01 CUMARU - VARIEGATED LIGHT
6" PLANK - V-GROOVE PROFILE
BEAUPRÉ, QC CANADA

YOUR CONCEPT
YOUR SIGNATURE



150-01 RUST - STEEL
6" PLANK - V-GROOVE PROFILE
EDINA, MN USA



102-04 IROKO – LIGHT SAND
6" PLANK – V-GROOVE PROFILE
SCOTT, QC CANADA



224 BURMA TEAK – 02 BLOND | 04 WEATHERED
6" PLANK – V-GROOVE PROFILE
NORTH CHARLESTON, SC USA



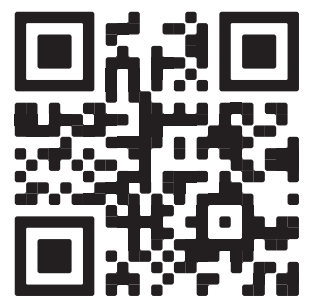
210-01 WHITE ASH – MEDIUM BROWN
6" PLANK – V-GROOVE PROFILE
LÉVIS, QC CANADA

ARCHITECTURAL **ALUMINUM BATTENS**



122-01 HICKORY – NATURAL
BATTEN 1" x 4"

ST-AUGUSTIN-DE-DESMAURES, QC CANADA



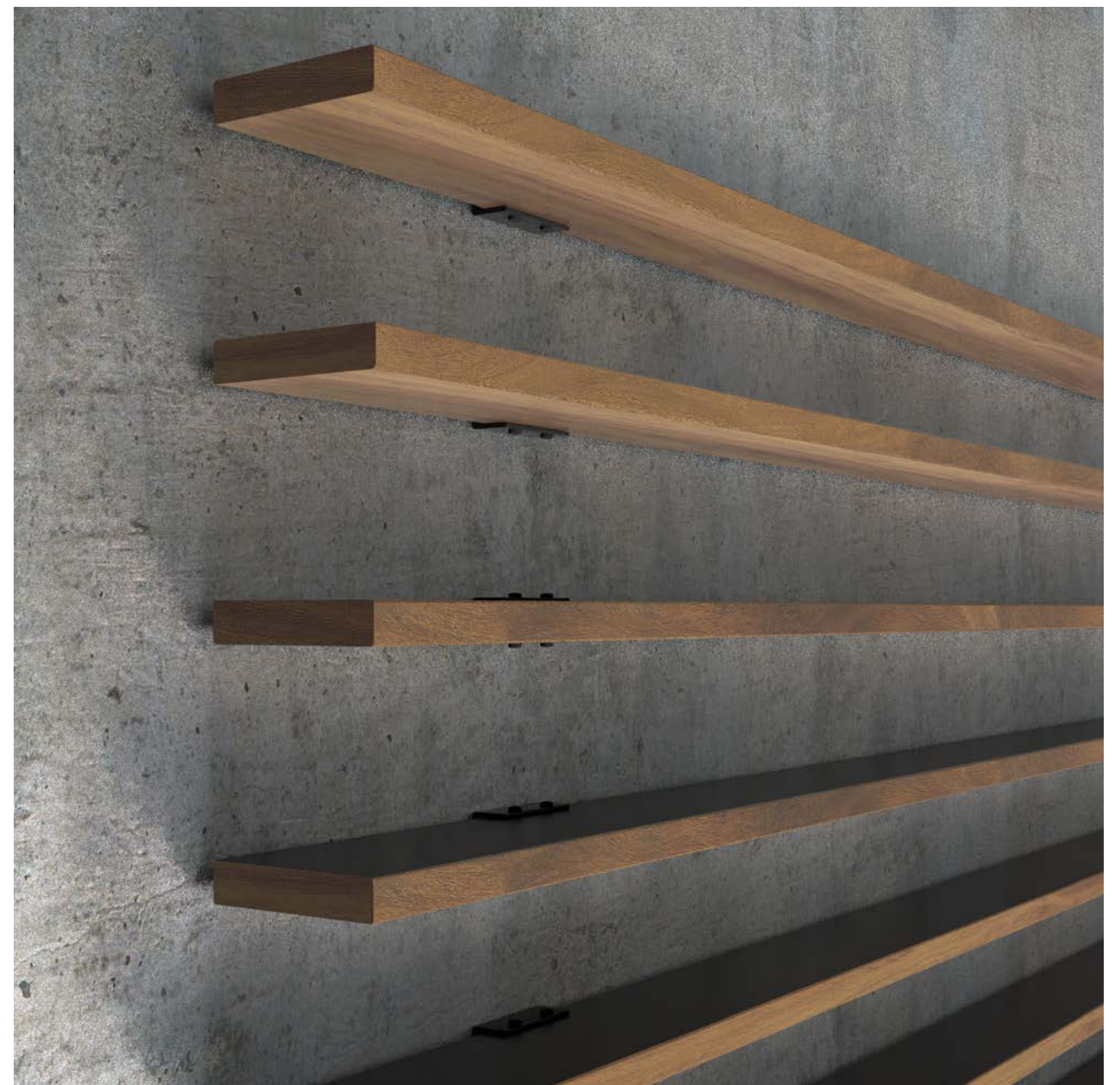
UNPARALLELED

LOOK & AMBIANCE

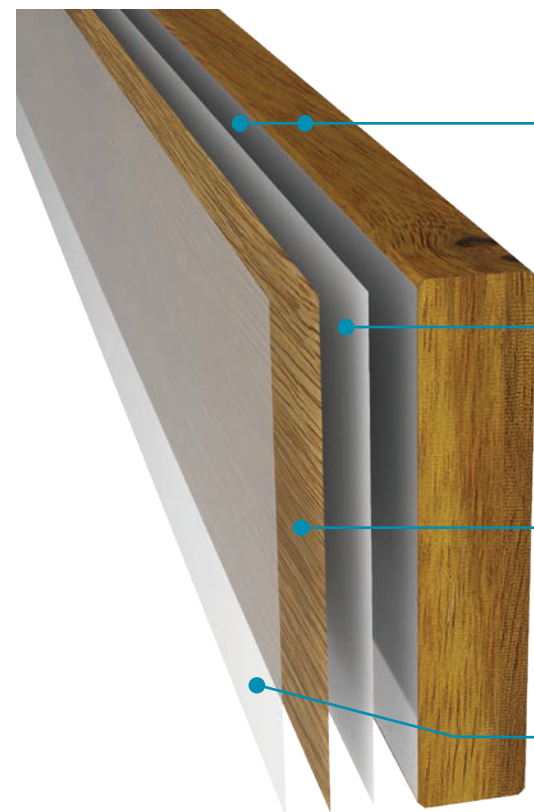
The MAIBEC outdoor architectural aluminum battens combine ease of use and performance, with available standard widths of 1" [25mm], 1.5" [38mm] or 2" [51mm], and standard lengths of 16' [4.9m], 12' [3.7m] and 8' [2.4m].

Our aluminum battens can be used in many ways, such as privacy screens, sun shade walls or simply on a facade, to accent your architectural project.

Various Maibec brackets are available to suit every installation possibility.



DURABILITY & SIMPLICITY



ALUMINUM

Recognized as the industry's first choice for its exceptional durability. Heavy-duty extruded aluminum.

PRIMER COAT

Specially formulated primer coat assures optimal adhesion between aluminum and ink.

HD INKJET PRINTING

High-definition digital inkjet prints of a wide range of textures with outstanding color variations.

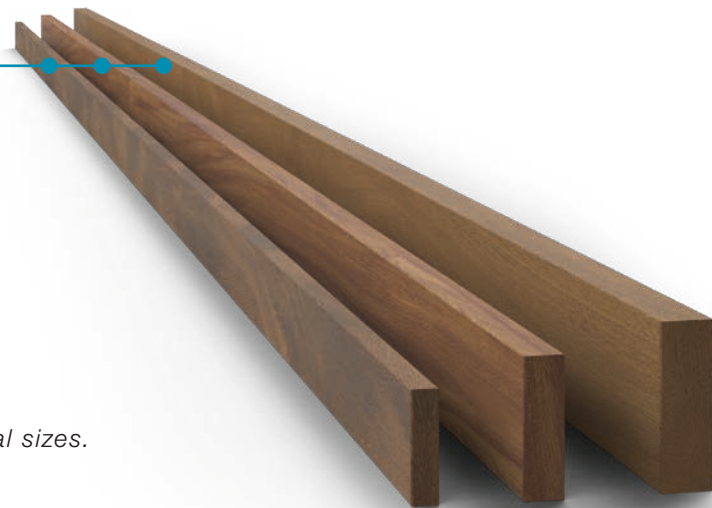
CLEAR COAT

A protective clear coat is applied to provide long-term protection against fading.

Illustration shows 129-01 CANARY WOOD – Natural

AVAILABLE SIZES

Standard **thickness**



Standard **length**

8' [2.4m] | **12'** [3.7m] | **16'** [4.9m]

Standard **width***

2" [51mm] | **3"** [76mm] | **4"** [102mm]

5" [127mm] | **6"** [152mm] | **8"** [203mm]

** Nominal dimensions, see technical data sheet for actual sizes.*

Other width dimensions are available, upon request.

Illustration shows 101-01 CUMARU – Variegated Light

1" [25mm] | **1½"** [38mm] | **2"** [51mm]

MOUNTING BRACKETS



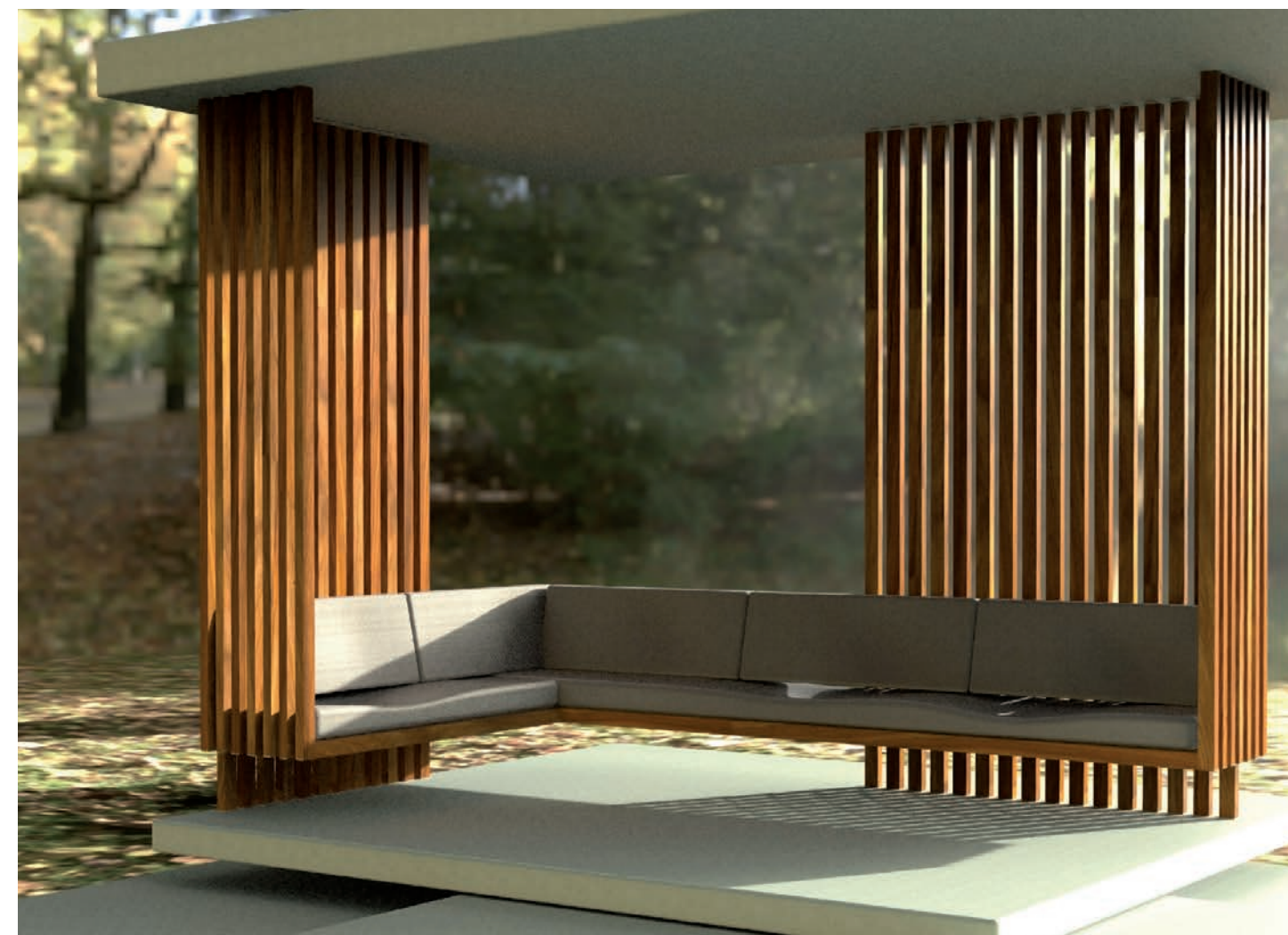
SN model
(Side mount Snap-in)



CC model
(Side mount)



BC model
(End mount)

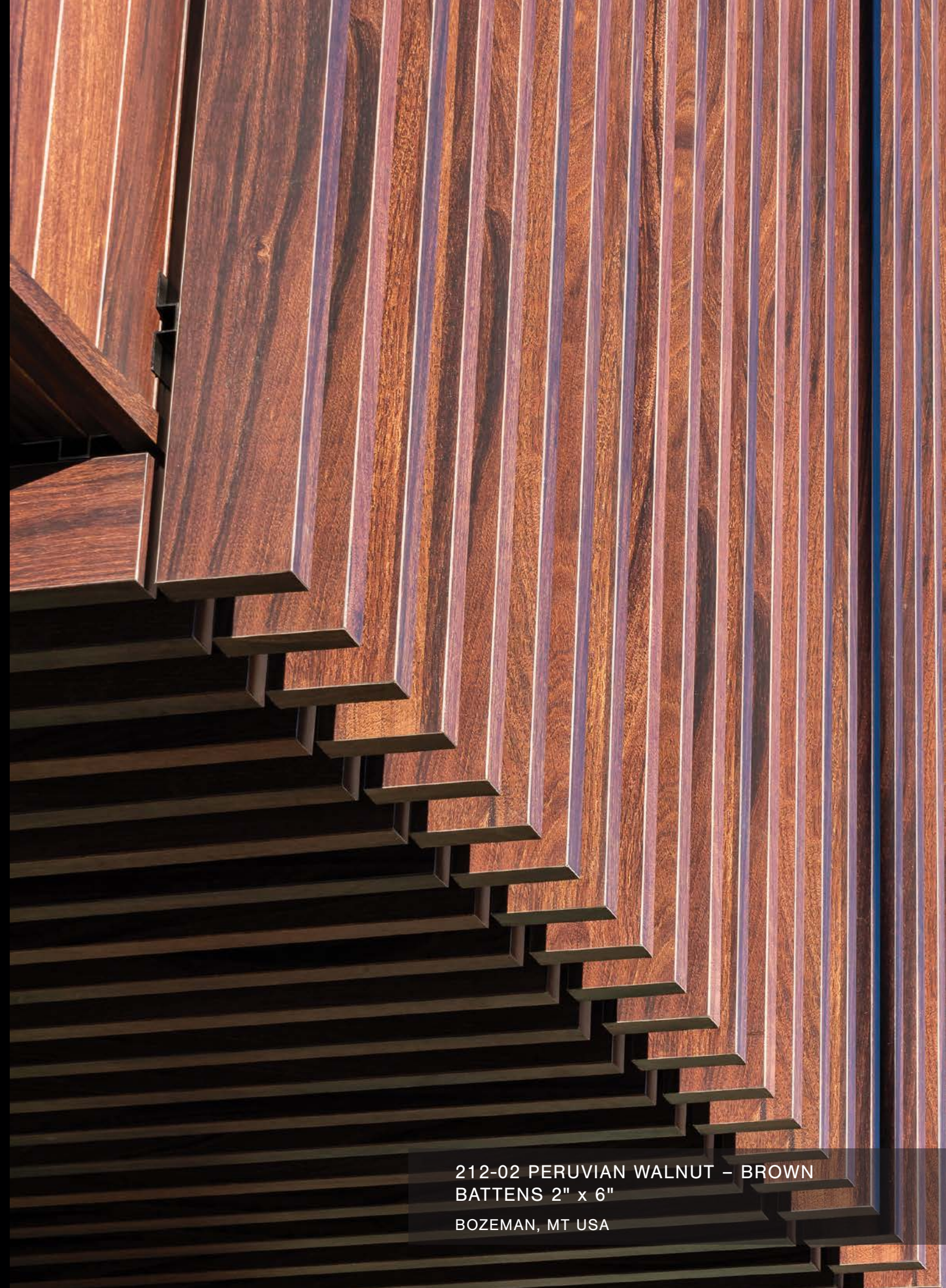




230-01 CEDAR – ORANGE
BATTENS 2" x 3"
ETOBICOKE, ON CANADA



224-02 BURMA TEAK – BLOND
BATTEN 2" x 6"
VARENNES, QC CANADA



212-02 PERUVIAN WALNUT – BROWN
BATTENS 2" x 6"
BOZEMAN, MT USA



AC
HOTELS
MARRIOTT

212-02 PERUVIAN WALNUT – BROWN
6" PLANK – V GROOVE PROFILE
BATTENS 2" x 6" | 1" x 3"
BOZEMAN, MT USA

ARCHITECTURAL **ALUMINUM** **PANELS SYSTEM**





STRIKING SIGNATURE LOOK & FINISH

MAIBEC outdoor aluminum panels system offers architects a new way of obtaining a visual effect superior to any other system on the market, thanks to its high resistance and superior quality.

The panels are available in the dimensions required according to your specification, with a maximum size of 4' [1.22m] x 8' [2.45m].

The aluminum panels system is made up of panels and rails, allowing for fast and easy installation.

Our system provides a striking signature look and finish that will enhance exterior facades while providing durable, functional, and easy-to-maintain surfaces.

MAIBEC also offers a wide choice of styles, such as wood, granite, stone, rusty metal or any other texture chosen by the architect.



Metal



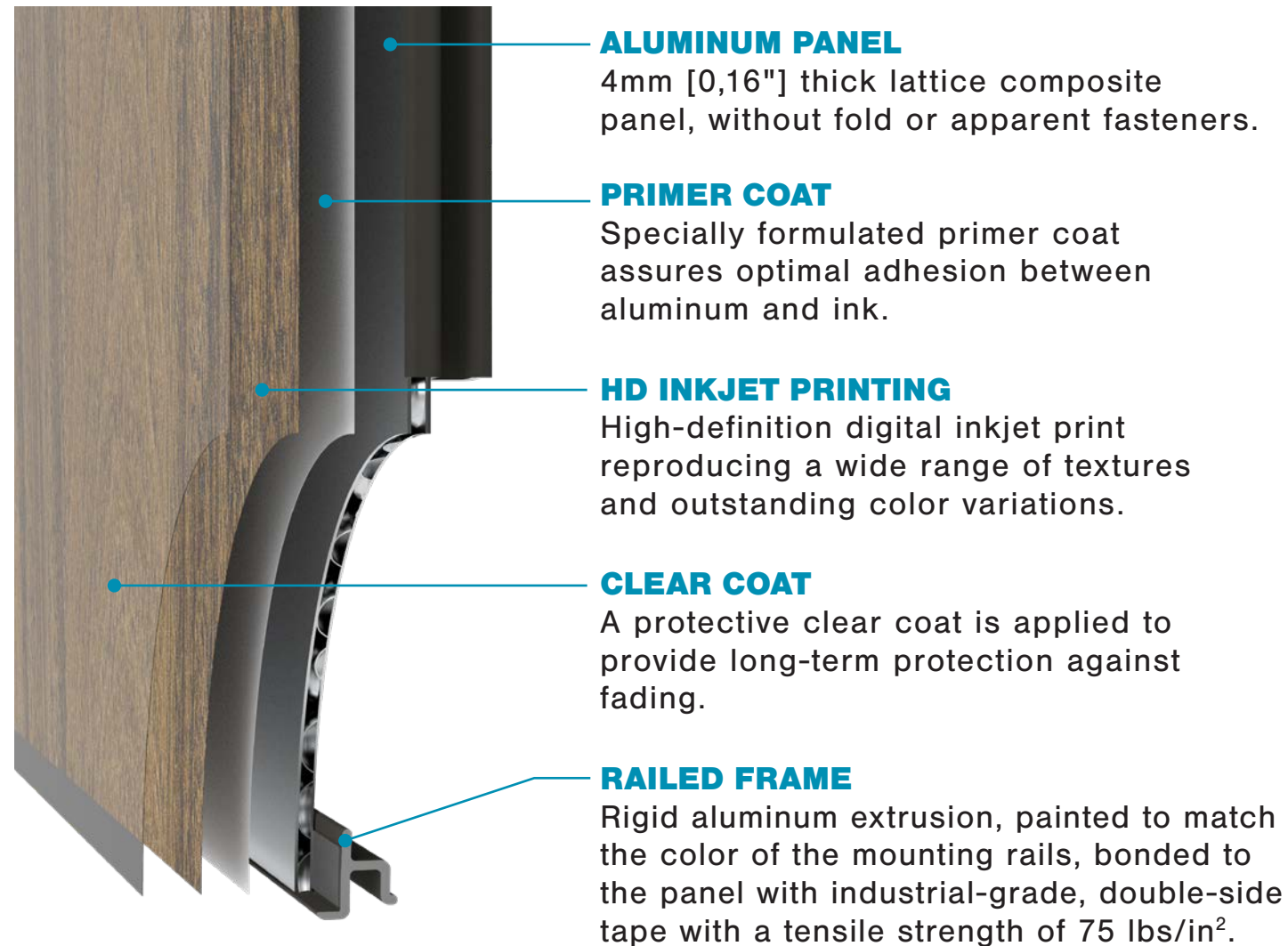
Wood



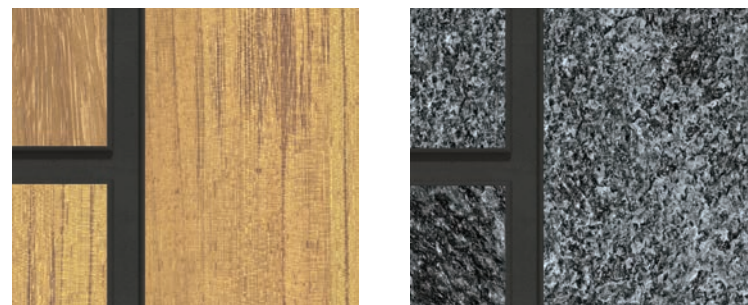
Stone

PANELS SYSTEM

DETAILS



FRAME & RAILS | CHARCOAL COLOR



Other colors are conditionally available upon request.

SYSTEM COMPONENTS



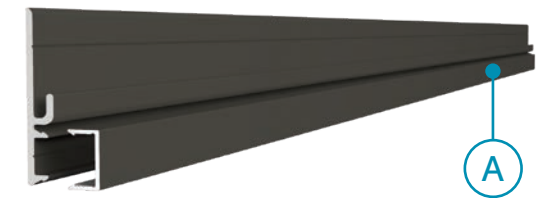
Maibec's panels system is made of 3 main aluminum components.

1 RAILED FRAME

- Pre-assembled with 4mm printed aluminum panel.
- Depth of 0.75" [19mm], available at specified dimensions up to a maximum size of 4' x 8' [1.22m x 2.45m].
- Standard spacing between panels of 0.375" [9.5mm].
- Panels are shipped with a protective film.

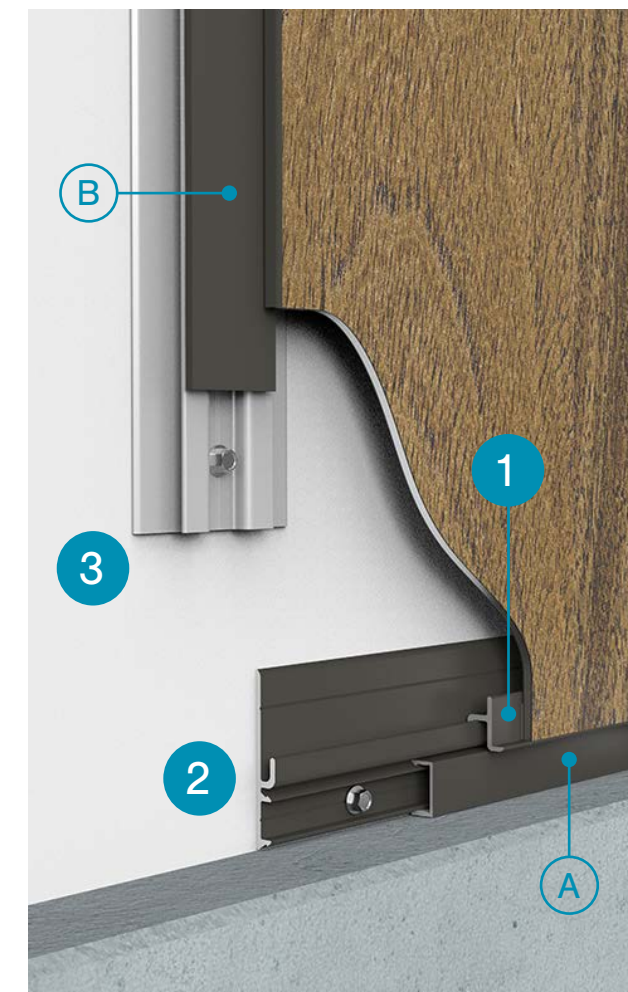
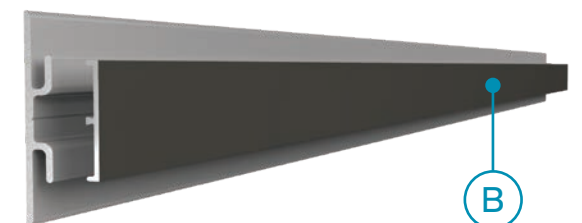
2 STARTER/FINISHING RAIL

Two-piece aluminum extrusion with clip-on screw cover (A). For horizontal & vertical installations.



3 DOUBLE FASTENING RAIL

Two-piece aluminum extrusion with screw cover (B). For horizontal & vertical installations.



INFINITE CHOICES

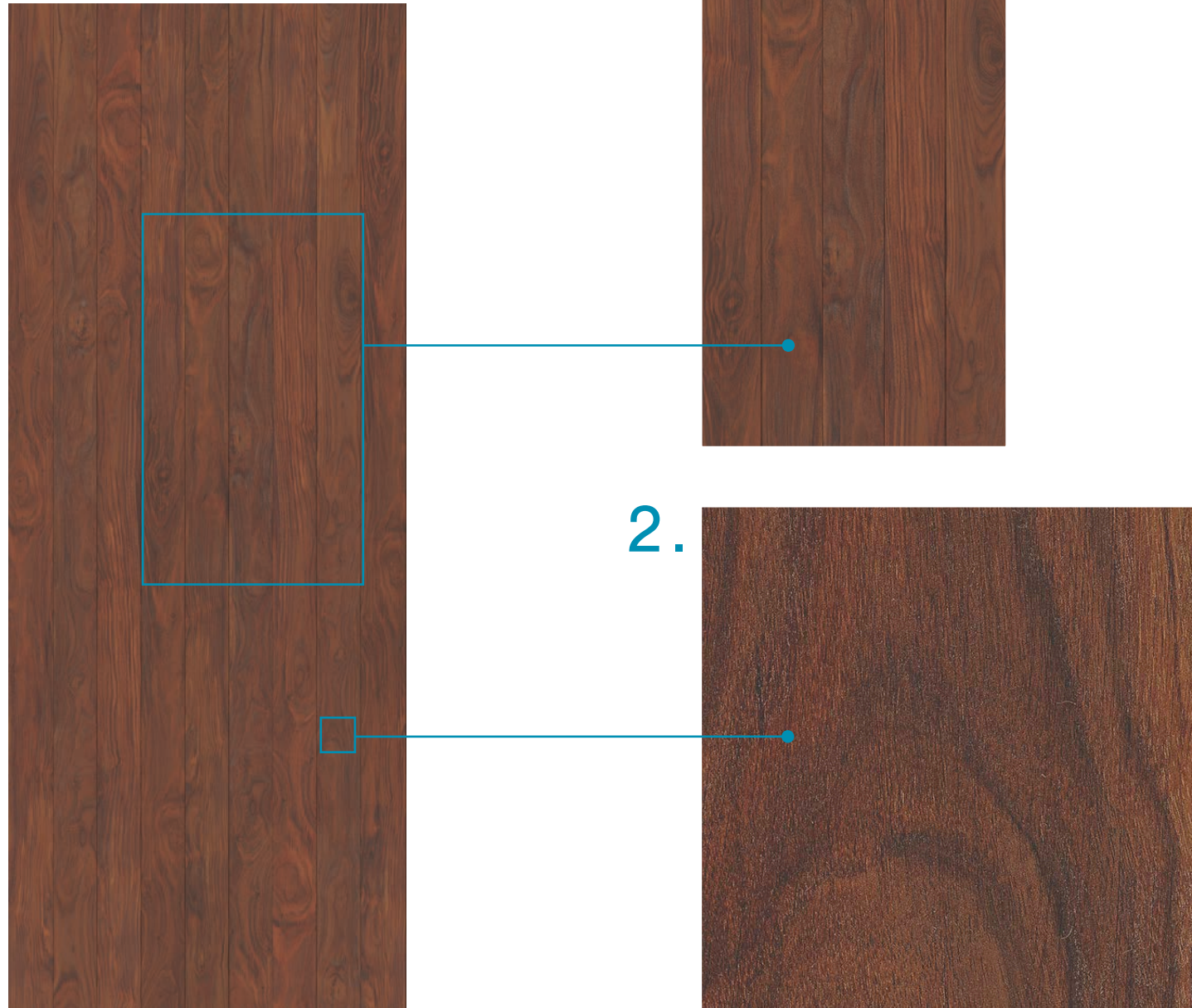
OF STYLES & COLORS

Maibec's panels system let you choose any sections or details from our Styles & Colors Guide.

Examples from our 9 wood planks assembly:

1. Section of 5 planks assembly.
2. Specific plank detail(s) can be enlarged/increased in order to fit any panel dimensions.

Example below:
125-01 BLACK WALNUT – NATURAL



FROM DESIGN

TO REALITY



122-08 HICKORY – SAND

Project: L'Étincelle school, Val d'Or, Qc, Canada

Facade panels, many dimensions, 30" [762mm] x 10" [254mm] to 30" [762mm] x 91" [2311mm].

TESTS & CERTIFICATIONS

Independent laboratory test reports are available on our website alu.maibec.com



FIRE RESISTANCE

CAN/ULC-S102
CAN/ULC-S114
ASTM E84
NFPA 285



WIND LOAD RESISTANCE

ISO 7895 ASTM
E330 ASTM
1592



GRAFFITI RESISTANCE

ASTM D6578



UV RAYS RESISTANCE

ASTM G155



IMPACT RESISTANCE

ISO 7895
ASTM D2794 (Battens)



ADHESION TEST

ASTM D3359
ASTM D3359-B



SALT SPRAY RESISTANCE

ASTM B117
ASTM G85



ABRASION RESISTANCE

ASTM D4060
(CS-17)



PULL-OUT RESISTANCE OF VARIOUS SCREWS

ASTM D1037 (Battens)



FBC COMPLIANCE

ASTM E330-02
TAS 202-94
TAS 203-94



127-03 WHITE OAK – BEIGE
6" PLANK – FLAT PROFILE
KIRKLAND, WA USA



1 888 883-4925
alu.maibec.com