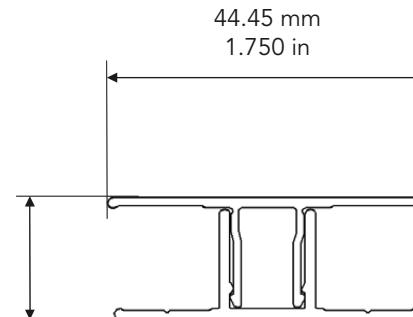
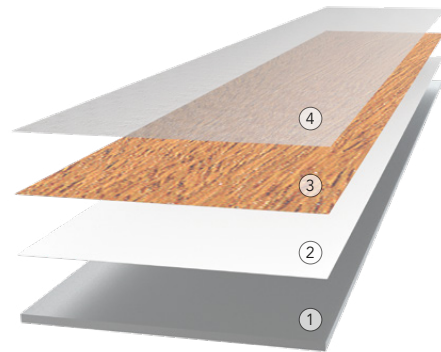


Aluminum Siding Accessories

H-Trim Cap and Base

TECHNICAL DATA SHEET



1. ALUMINUM

6063-T5 Aluminum extrusion 1.40 mm (0.055 in) thick recognized as the industry's first choice for its exceptional durability.

Accessory trim and base are joined together by snap fit allowing for seamless installation without visible screws.

Installation can be made both vertically and horizontally.

2. PRIMER COAT

Specially formulated primer coat ± 1.2 mils (30.48 μm) thick assures optimal adhesion between aluminum and ink.

3. HD PRINTING

High-definition digital inkjet print ± 1 mil (25.4 μm) thick of a wide range of textures with outstanding color variations.


4. Z-CLEAR

A protective clear coat ± 1.2 mils (30.48 μm) thick is applied to provide long-term protection against fading.

Tests & Certifications*

- . CAN/ULC S102 - Fire Resistance
- . CAN/ULC S114 - Fire Resistance
- . ASTM E84 - Fire Resistance
- . NFPA 285 - Fire Resistance
- . ASTM D6578 - Graffiti Resistance
- . ASTM G155 - UV Resistance
- . ISO 7895 / ASTM E330 - Wind Load
- . ISO 7895 - Impact Resistance
- . ASTM D3359 - Adhesion testing
- . Florida Building Code (FBC) compliance
- . LEED V4

* see website for full details

Name :	Job # :	Color :	Date :
	Model : FA-HTS-1201	Product : Aluminum siding H-Trim Cap and Base	Initials :
	Length : 3.65 m / 12 ft	Material : Aluminum 6063-T5	
	Drawing by: JCC Date: 11/11/20	Weight per piece (Trim cap) : 2.25 kg / 4.96 lbs	
		Weight total (Trim cap & Base) : 3.16 kg / 6.96 lbs	Sheet size: 8.5" x 11"