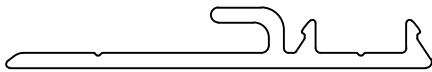


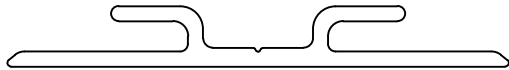
# DIZAL ALUMINUM SYSTEM COMPONENT LIST



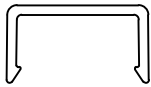
① DIZAL Panel System



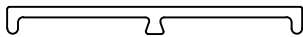
② Starter / Contour Extrusion



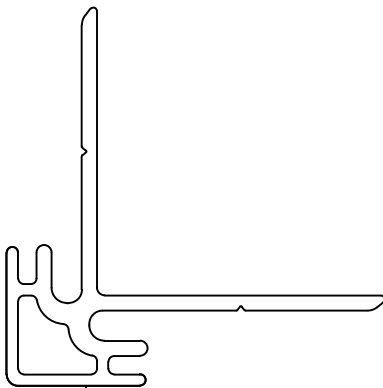
③ Double Fastening Strip



④ Snap-in Screw Cover Strip



⑤ Extruded Filler Strip

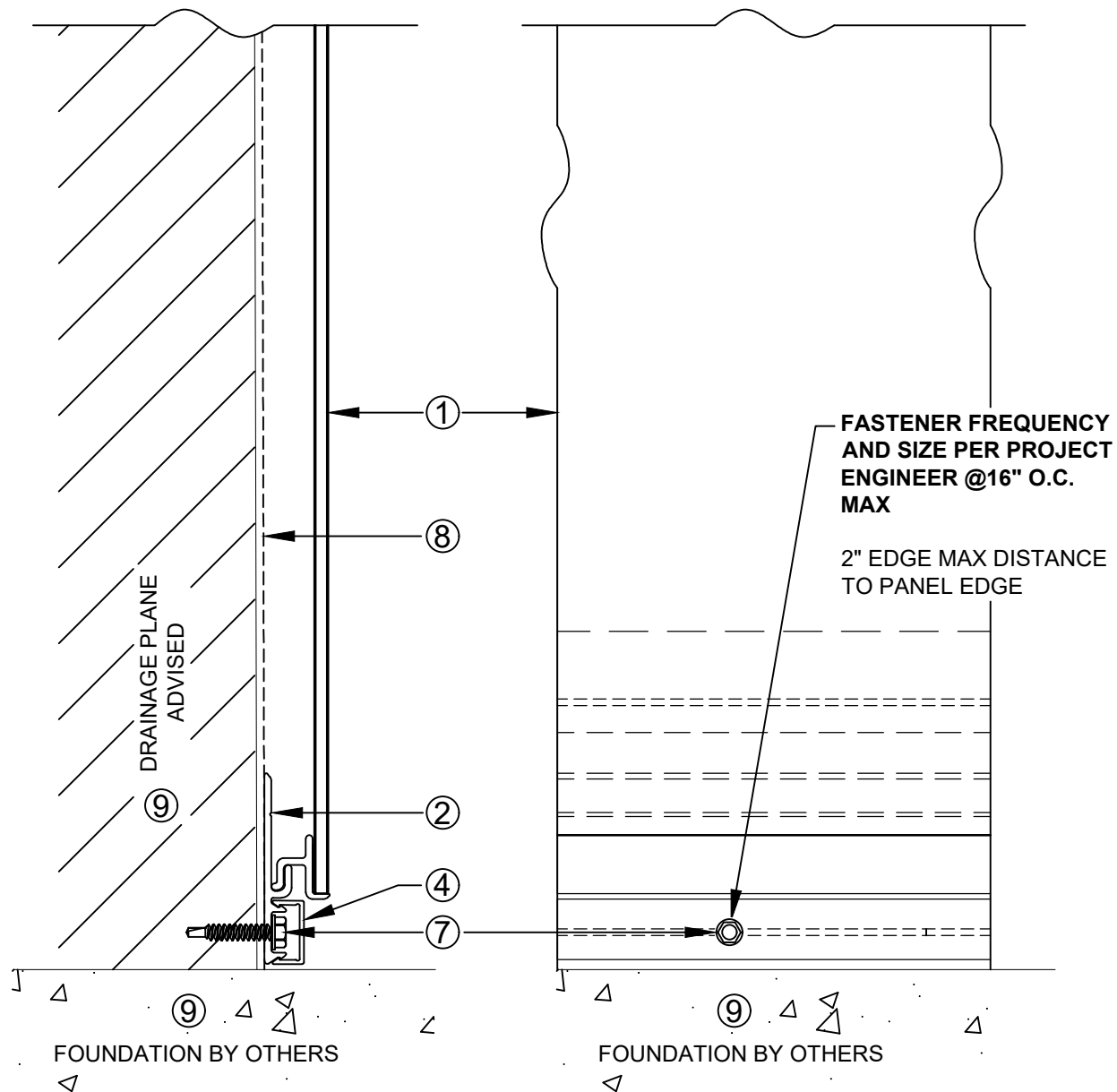


⑥ Corner Extrusion



⑦ #10 Stainless Steel Fastener

DIZAL



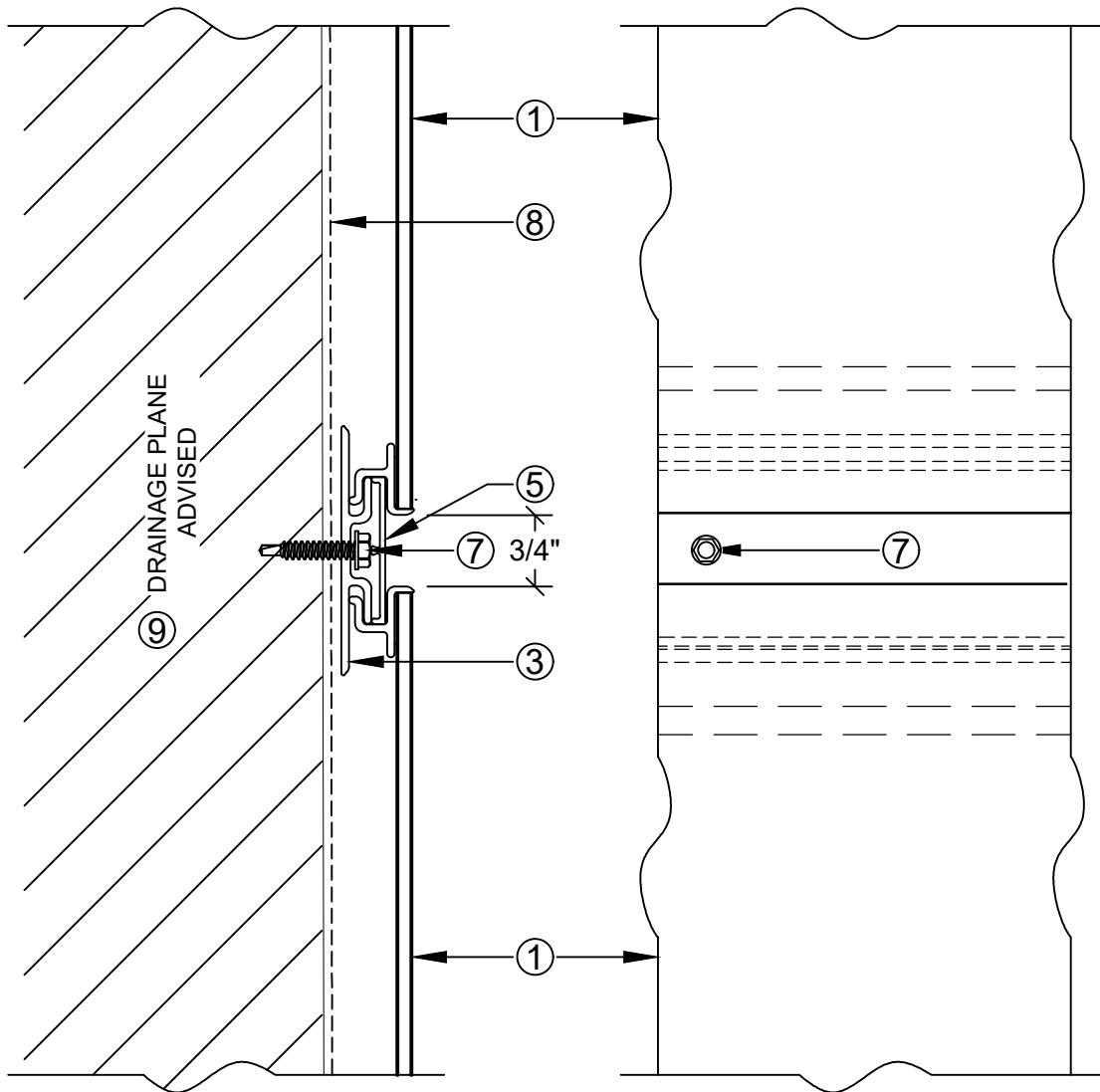
- ① DIZAL PANEL SYSTEM
- ② STARTER / CONTOUR EXTRUSION
- ③ DOUBLE FASTENING STRIP
- ④ SNAP-IN SCREW COVER STRIP
- ⑤ EXTRUDED FILLER STRIP
- ⑥ CORNER EXTRUSION
- ⑦ STAINLESS STEEL FASTENER
- ⑧ WEATHER BARRIER - BY OTHERS
- ⑨ BY OTHERS

**DIZAL**

**STARTING STRIP DETAIL - SECTION VIEW  
ALUMINUM ARCHITECTURAL PANEL SYSTEM**

Date 03.10.2021

Scale 6" = 1'-0"



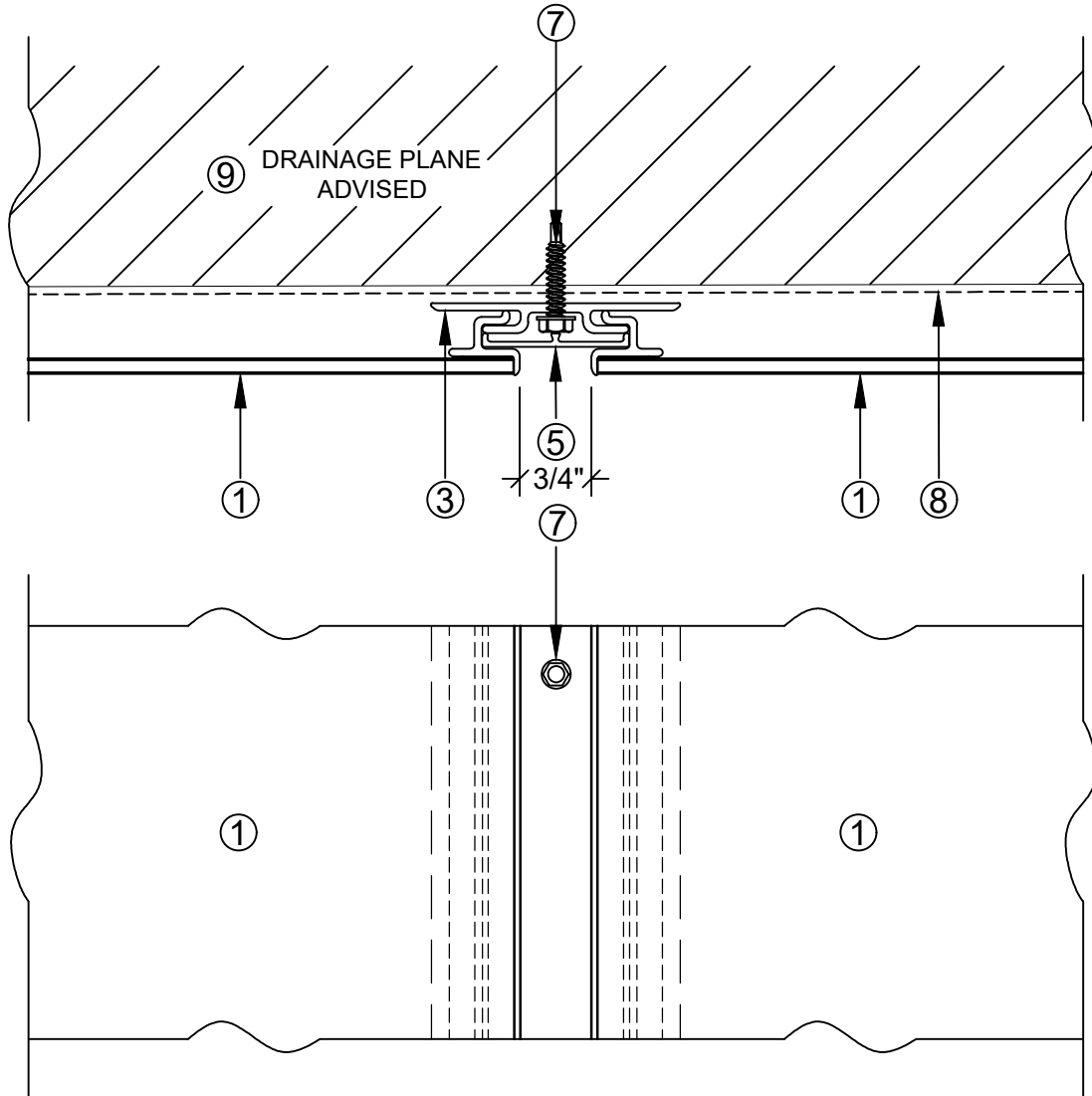
- ① DIZAL PANEL SYSTEM
- ② STARTER / CONTOUR EXTRUSION
- ③ DOUBLE FASTENING STRIP
- ④ SNAP-IN SCREW COVER STRIP
- ⑤ EXTRUDED FILLER STRIP
- ⑥ CORNER EXTRUSION
- ⑦ STAINLESS STEEL FASTENER
- ⑧ WEATHER BARRIER - BY OTHERS
- ⑨ BY OTHERS

**DIZAL**

**HORIZONTAL REVEAL DETAIL - SECTION VIEW  
ALUMINUM ARCHITECTURAL PANEL SYSTEM**

Date 03.10.2021

Scale 6" = 1'-0"



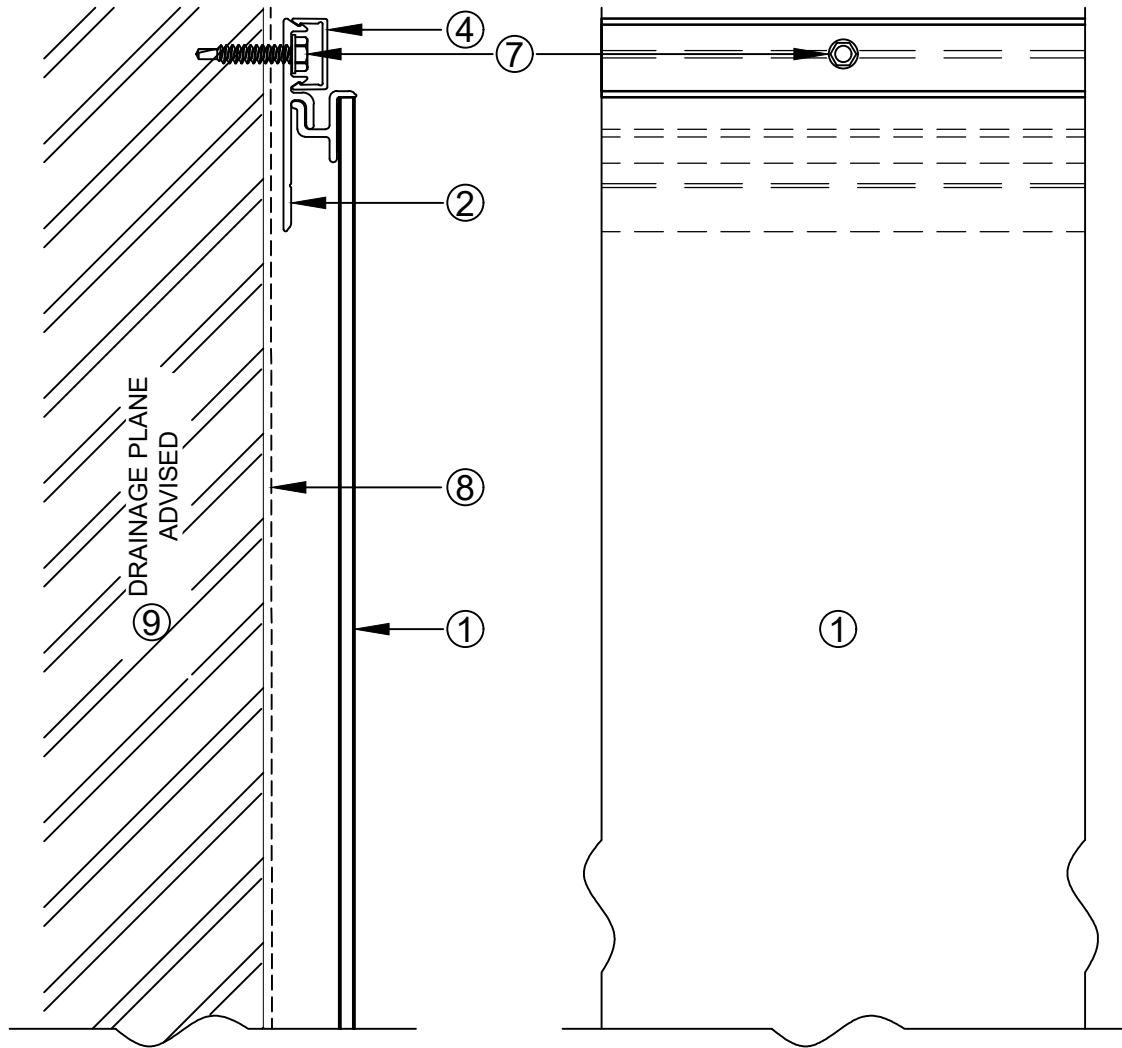
- ① DIZAL PANEL SYSTEM
- ② STARTER / CONTOUR EXTRUSION
- ③ DOUBLE FASTENING STRIP
- ④ SNAP-IN SCREW COVER STRIP
- ⑤ EXTRUDED FILLER STRIP
- ⑥ CORNER EXTRUSION
- ⑦ STAINLESS STEEL FASTENER
- ⑧ WEATHER BARRIER - BY OTHERS
- ⑨ BY OTHERS

**DIZAL**

VERTICAL REVEAL DETAIL - PLAN VIEW  
**ALUMINUM ARCHITECTURAL PANEL SYSTEM**

Date 03.10.2021

Scale 6" = 1'-0"



① DIZAL PANEL SYSTEM

② STARTER / CONTOUR EXTRUSION

③ DOUBLE FASTENING STRIP

④ SNAP-IN SCREW COVER STRIP

⑤ EXTRUDED FILLER STRIP

⑥ CORNER EXTRUSION

⑦ STAINLESS STEEL FASTENER

⑧ WEATHER BARRIER - BY OTHERS

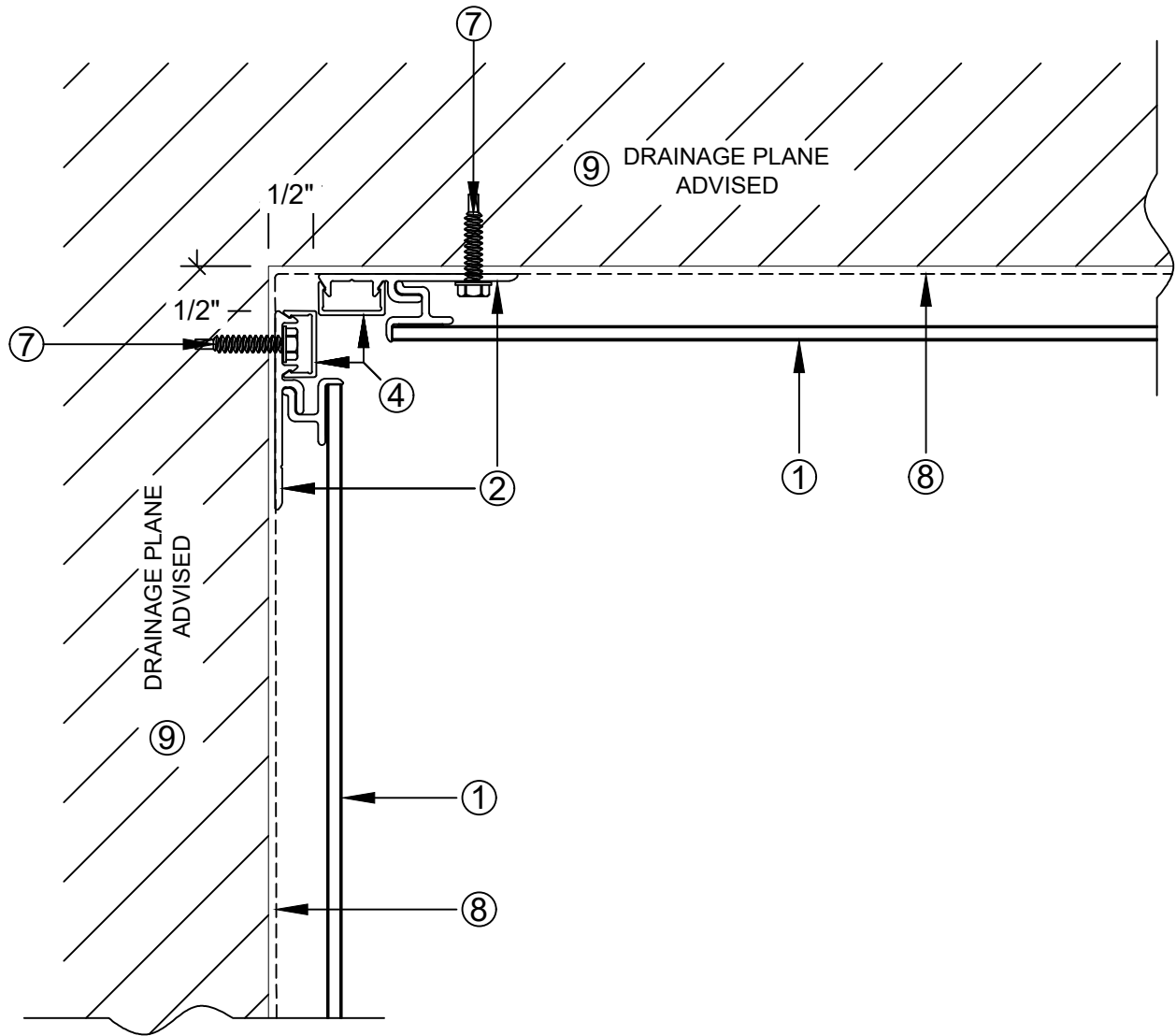
⑨ BY OTHERS

**DIZAL**

TOP EDGE DETAIL - SECTION VIEW  
ALUMINUM ARCHITECTURAL PANEL SYSTEM

Date 03.10.2021

Scale 6" = 1'-0"



① DIZAL PANEL SYSTEM

② STARTER / CONTOUR EXTRUSION

③ DOUBLE FASTENING STRIP

④ SNAP-IN SCREW COVER STRIP

⑤ EXTRUDED FILLER STRIP

⑥ CORNER EXTRUSION

⑦ STAINLESS STEEL FASTENER

⑧ WEATHER BARRIER - BY OTHERS

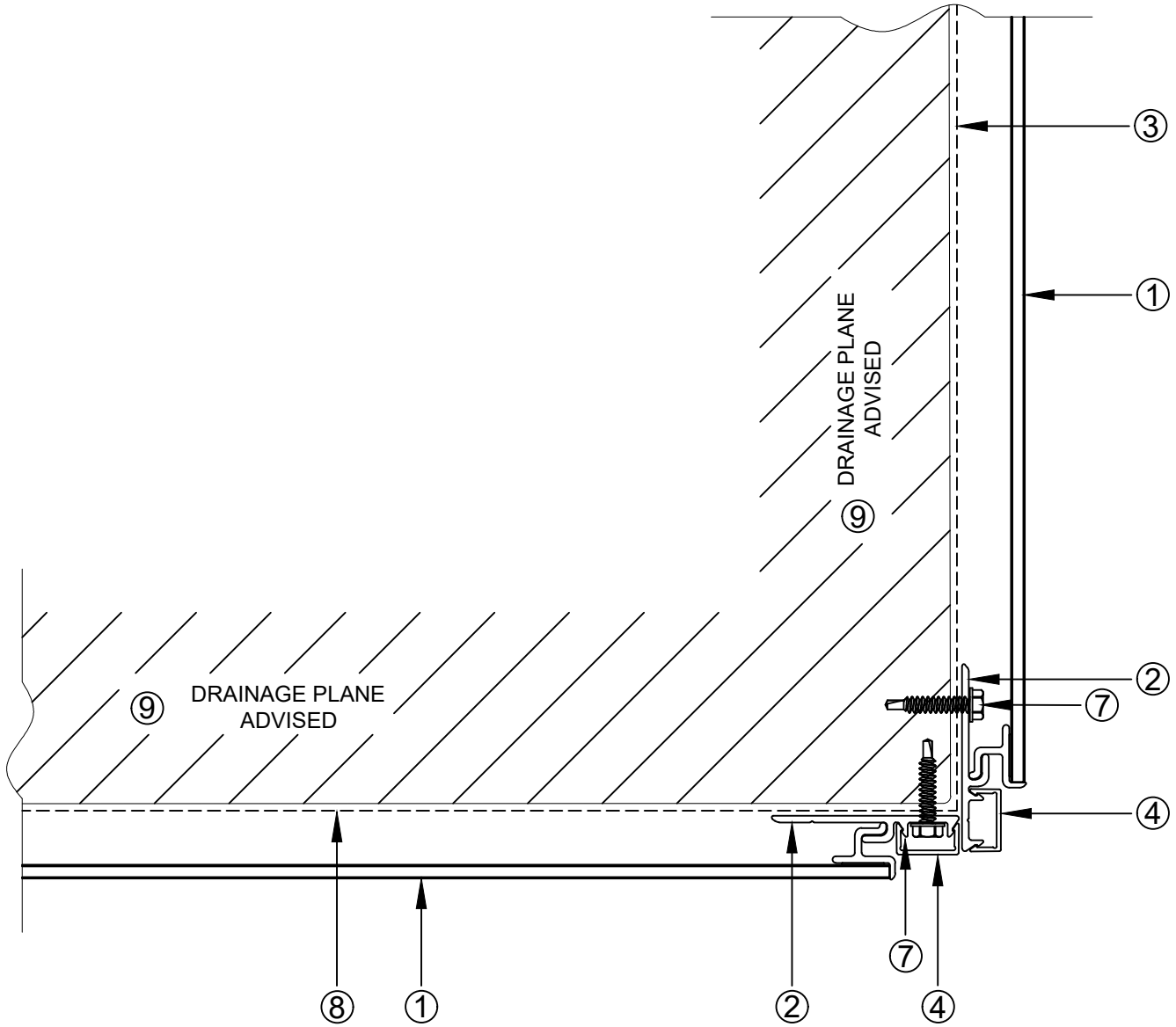
⑨ BY OTHERS

DIZAL

INNER CORNER DETAIL - PLAN VIEW  
ALUMINUM ARCHITECTURAL PANEL SYSTEM

Date 03.10.2021

Scale 6" = 1'-0"



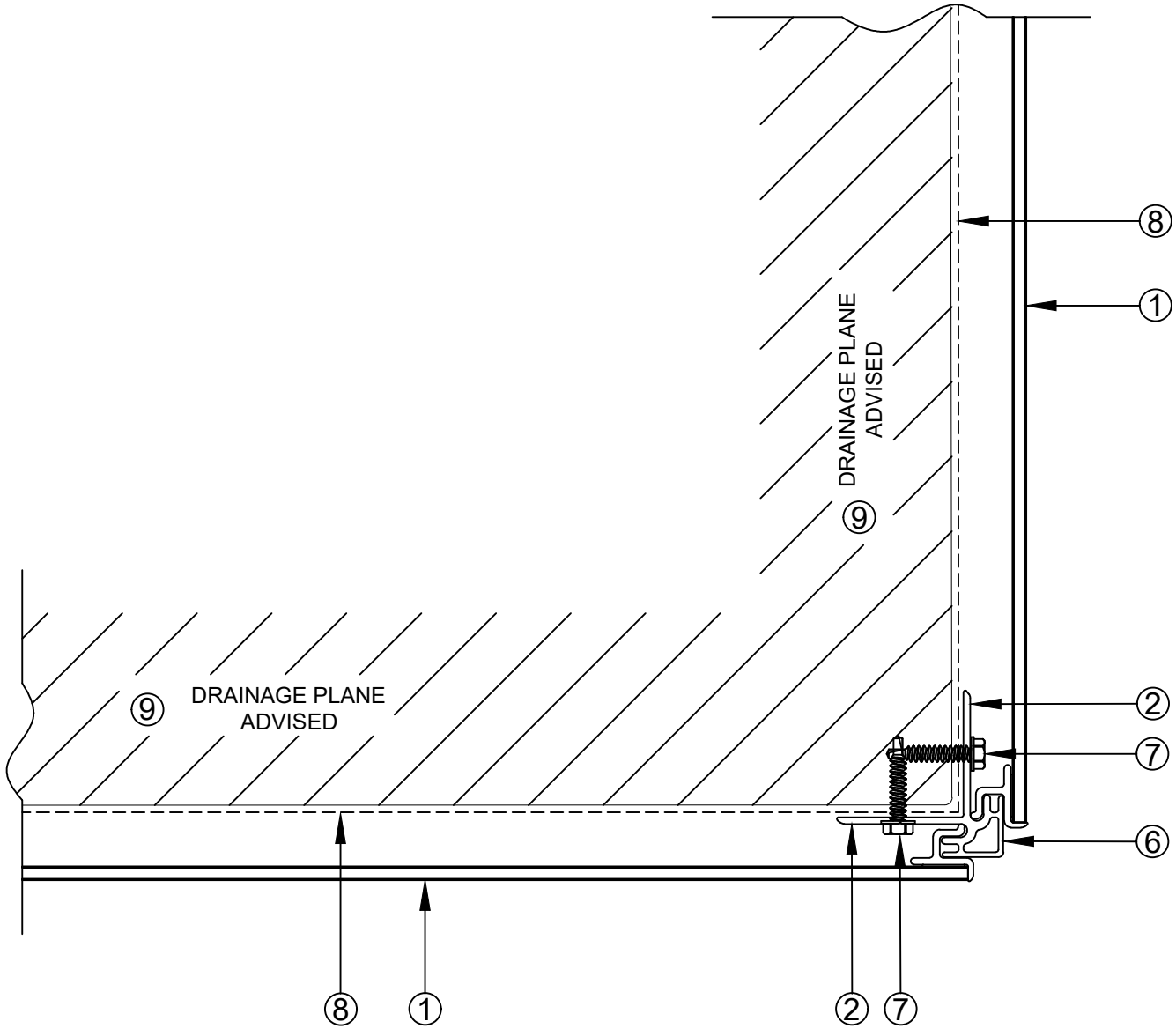
- ① DIZAL PANEL SYSTEM
- ② STARTER / CONTOUR EXTRUSION
- ③ DOUBLE FASTENING STRIP
- ④ SNAP-IN SCREW COVER STRIP
- ⑤ EXTRUDED FILLER STRIP
- ⑥ CORNER EXTRUSION
- ⑦ STAINLESS STEEL FASTENER
- ⑧ WEATHER BARRIER - BY OTHERS
- ⑨ BY OTHERS

**DIZAL**

OUTER CORNER DETAIL - PLAN VIEW  
**ALUMINUM ARCHITECTURAL PANEL SYSTEM**

Date 03.10.2021

Scale 6" = 1'-0"



- ① DIZAL PANEL SYSTEM
- ② STARTER / CONTOUR EXTRUSION
- ③ DOUBLE FASTENING STRIP
- ④ SNAP-IN SCREW COVER STRIP
- ⑤ EXTRUDED FILLER STRIP
- ⑥ CORNER EXTRUSION
- ⑦ STAINLESS STEEL FASTENER
- ⑧ WEATHER BARRIER - BY OTHERS
- ⑨ BY OTHERS

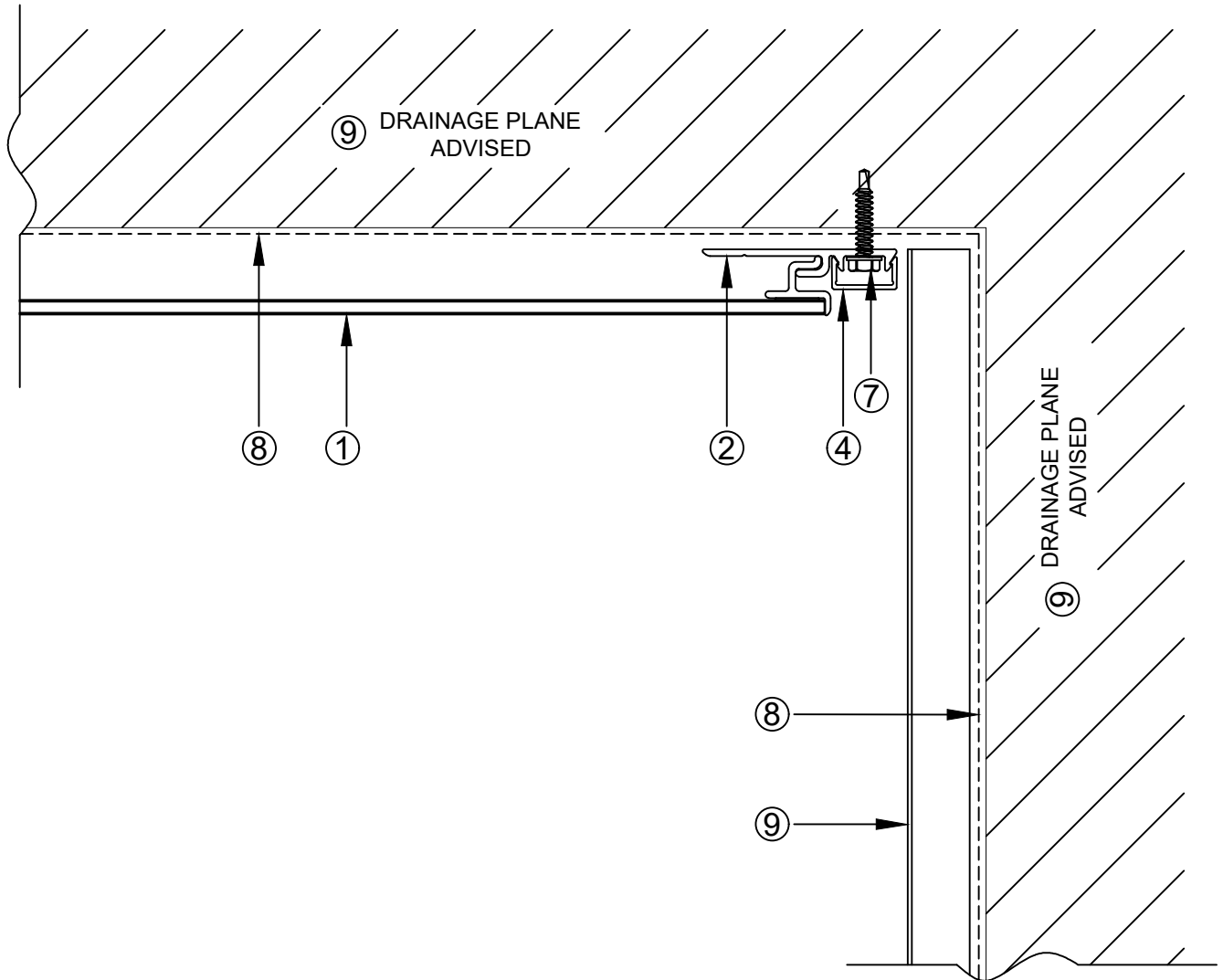
**DIZAL**

OUTER CORNER DETAIL (ALTERNATE) - PLAN VIEW  
**ALUMINUM ARCHITECTURAL PANEL SYSTEM**

Date 03.10.2021

Scale 6" = 1'-0"





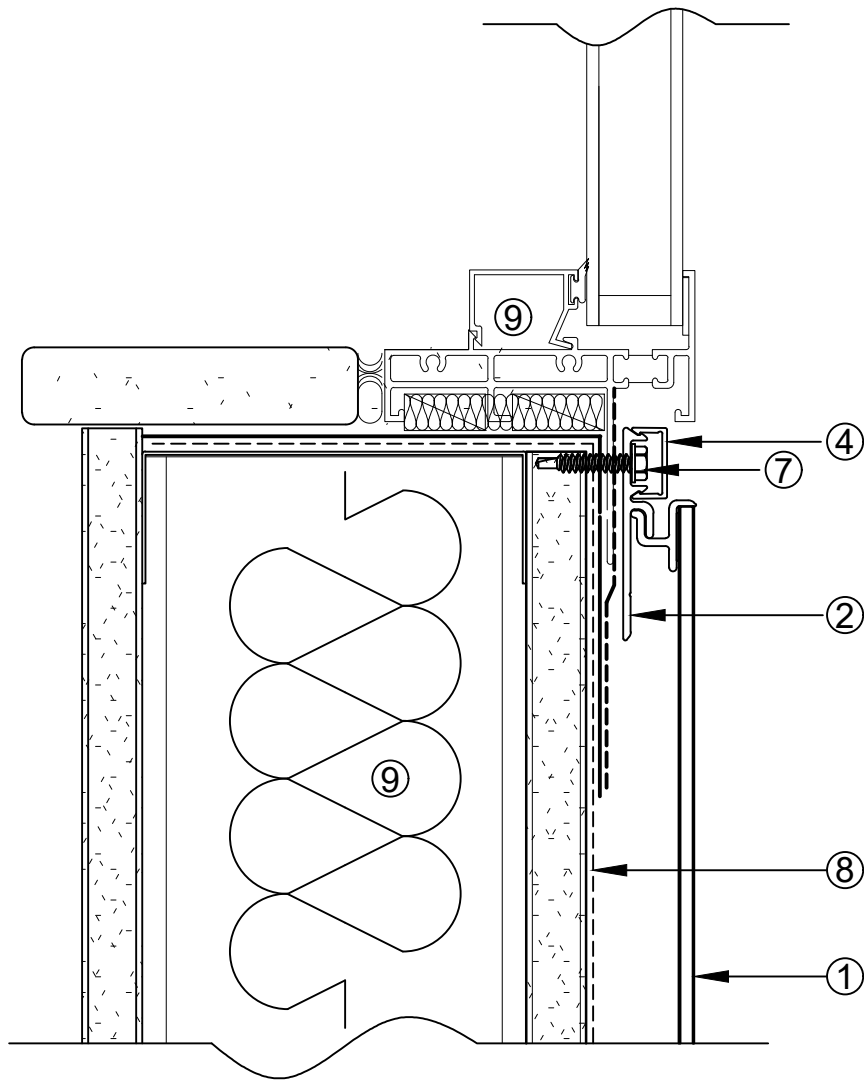
- ① DIZAL PANEL SYSTEM
- ② STARTER / CONTOUR EXTRUSION
- ③ DOUBLE FASTENING STRIP
- ④ SNAP-IN SCREW COVER STRIP
- ⑤ EXTRUDED FILLER STRIP
- ⑥ CORNER EXTRUSION
- ⑦ STAINLESS STEEL FASTENER
- ⑧ WEATHER BARRIER - BY OTHERS
- ⑨ BY OTHERS

**DIZAL**

ABUTMENT DETAIL - PLAN VIEW  
**ALUMINUM ARCHITECTURAL PANEL SYSTEM**

Date 03.10.2021

Scale 6" = 1'-0"



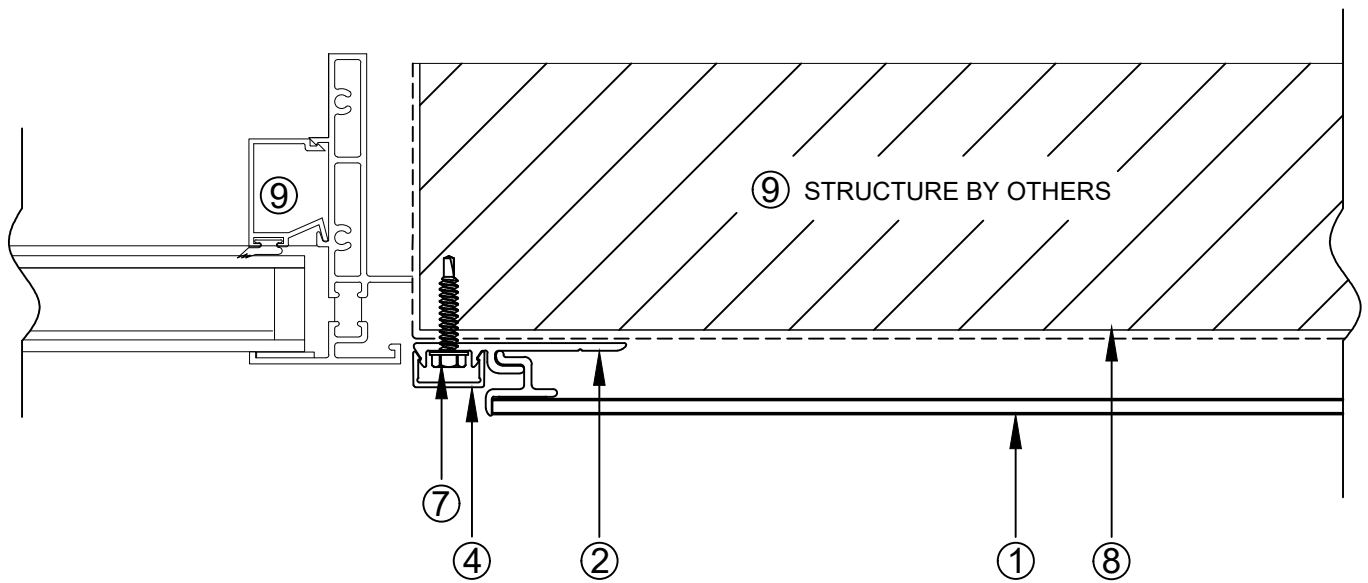
- ① DIZAL PANEL SYSTEM
- ② STARTER / CONTOUR EXTRUSION
- ③ DOUBLE FASTENING STRIP
- ④ SNAP-IN SCREW COVER STRIP
- ⑤ EXTRUDED FILLER STRIP
- ⑥ CORNER EXTRUSION
- ⑦ STAINLESS STEEL FASTENER
- ⑧ WEATHER BARRIER - BY OTHERS
- ⑨ BY OTHERS

**DIZAL**

SILL DETAIL - SECTION VIEW  
**ALUMINUM ARCHITECTURAL PANEL SYSTEM**

Date 03.10.2021

Scale 6" = 1'-0"



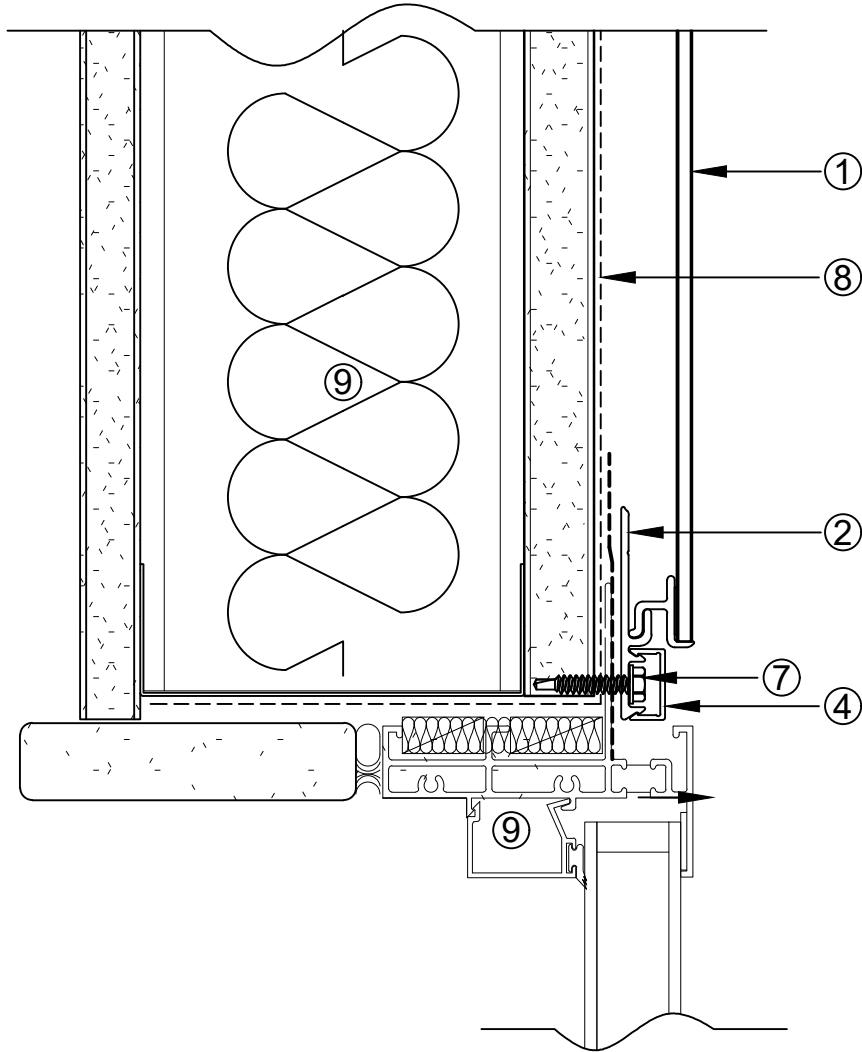
- ① DIZAL PANEL SYSTEM
- ② STARTER / CONTOUR EXTRUSION
- ③ DOUBLE FASTENING STRIP
- ④ SNAP-IN SCREW COVER STRIP
- ⑤ EXTRUDED FILLER STRIP
- ⑥ CORNER EXTRUSION
- ⑦ STAINLESS STEEL FASTENER
- ⑧ WEATHER BARRIER - BY OTHERS
- ⑨ BY OTHERS

**DIZAL**

JAMB DETAIL - SECTION VIEW  
**ALUMINUM ARCHITECTURAL PANEL SYSTEM**

Date 03.10.2021

Scale 6" = 1'-0"



① **DIZAL PANEL SYSTEM**

② **STARTER / CONTOUR EXTRUSION**

③ **DOUBLE FASTENING STRIP**

④ **SNAP-IN SCREW COVER STRIP**

⑤ **EXTRUDED FILLER STRIP**

⑥ **CORNER EXTRUSION**

⑦ **STAINLESS STEEL FASTENER**

⑧ **WEATHER BARRIER - BY OTHERS**

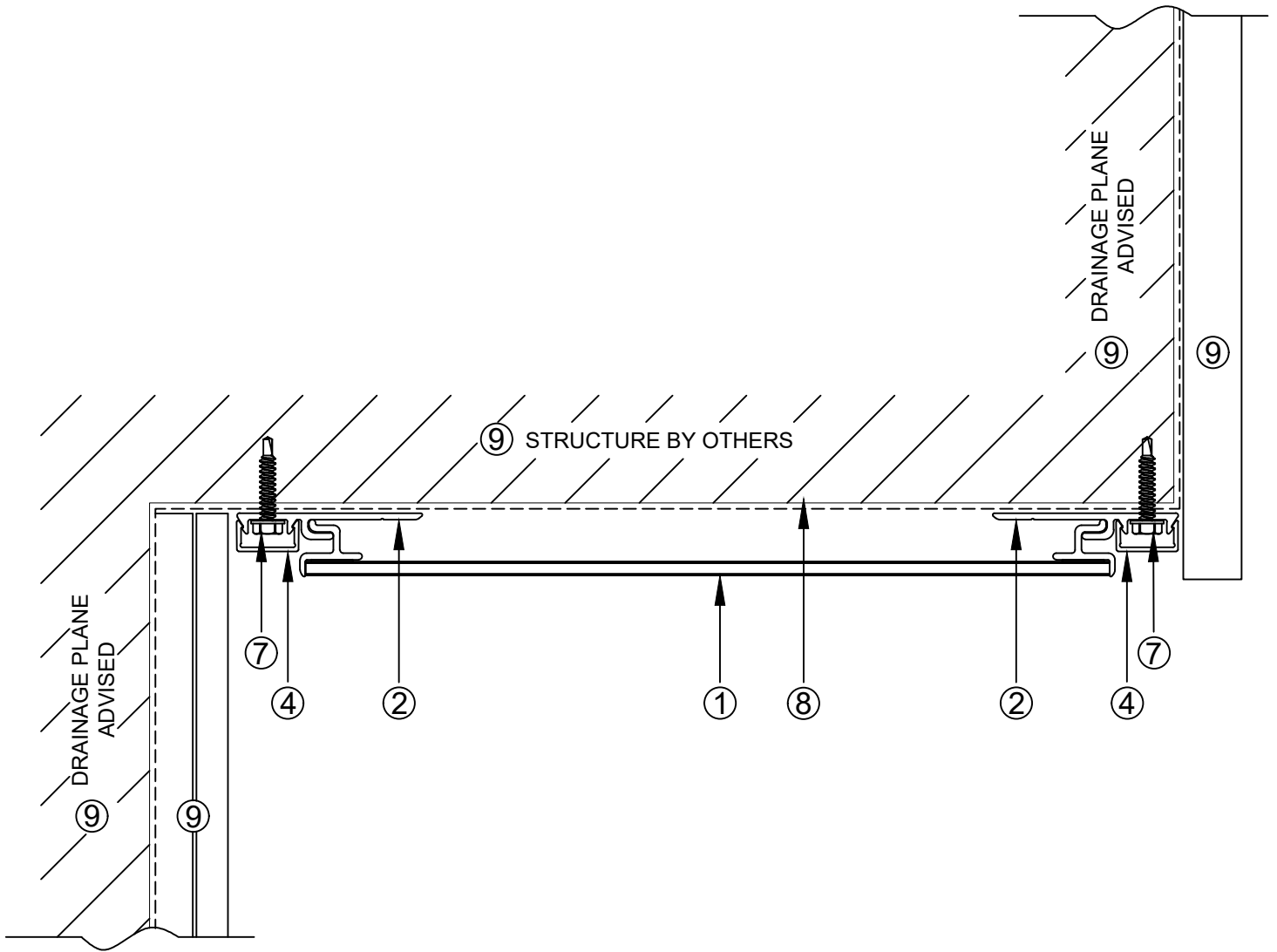
⑨ **BY OTHERS**

**DIZAL**

**TYPICAL HEAD DETAIL - SECTION VIEW  
ALUMINUM ARCHITECTURAL PANEL SYSTEM**

Date 03.10.2021

Scale 6" = 1'-0"



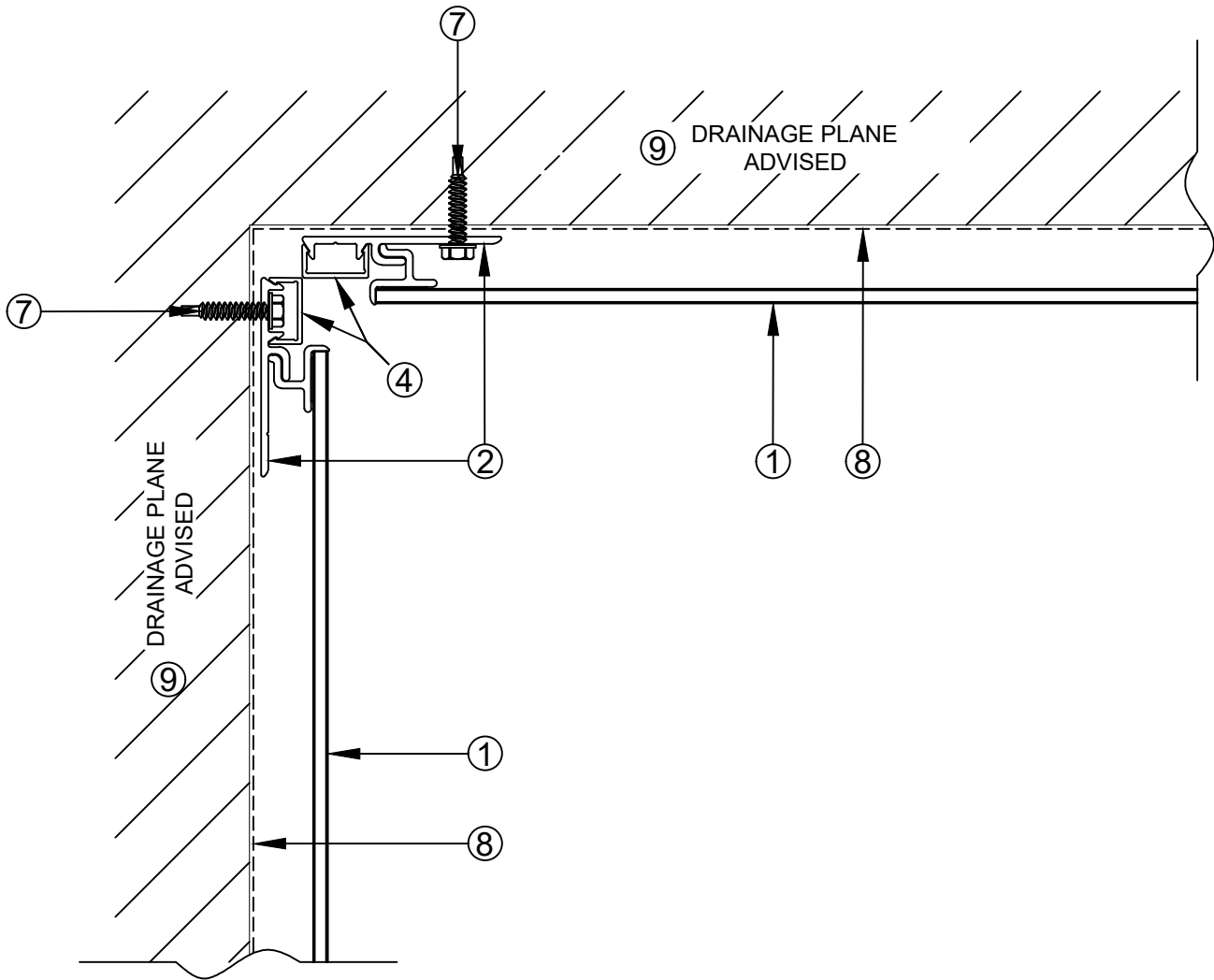
- ① **DIZAL PANEL SYSTEM**
- ② **STARTER / CONTOUR EXTRUSION**
- ③ **DOUBLE FASTENING STRIP**
- ④ **SNAP-IN SCREW COVER STRIP**
- ⑤ **EXTRUDED FILLER STRIP**
- ⑥ **CORNER EXTRUSION**
- ⑦ **STAINLESS STEEL FASTENER**
- ⑧ **WEATHER BARRIER - BY OTHERS**
- ⑨ **BY OTHERS**

**DIZAL**

**SOFFIT DETAIL - SECTION VIEW**  
**ALUMINUM ARCHITECTURAL PANEL SYSTEM**

Date 03.10.2021

Scale 6" = 1'-0"



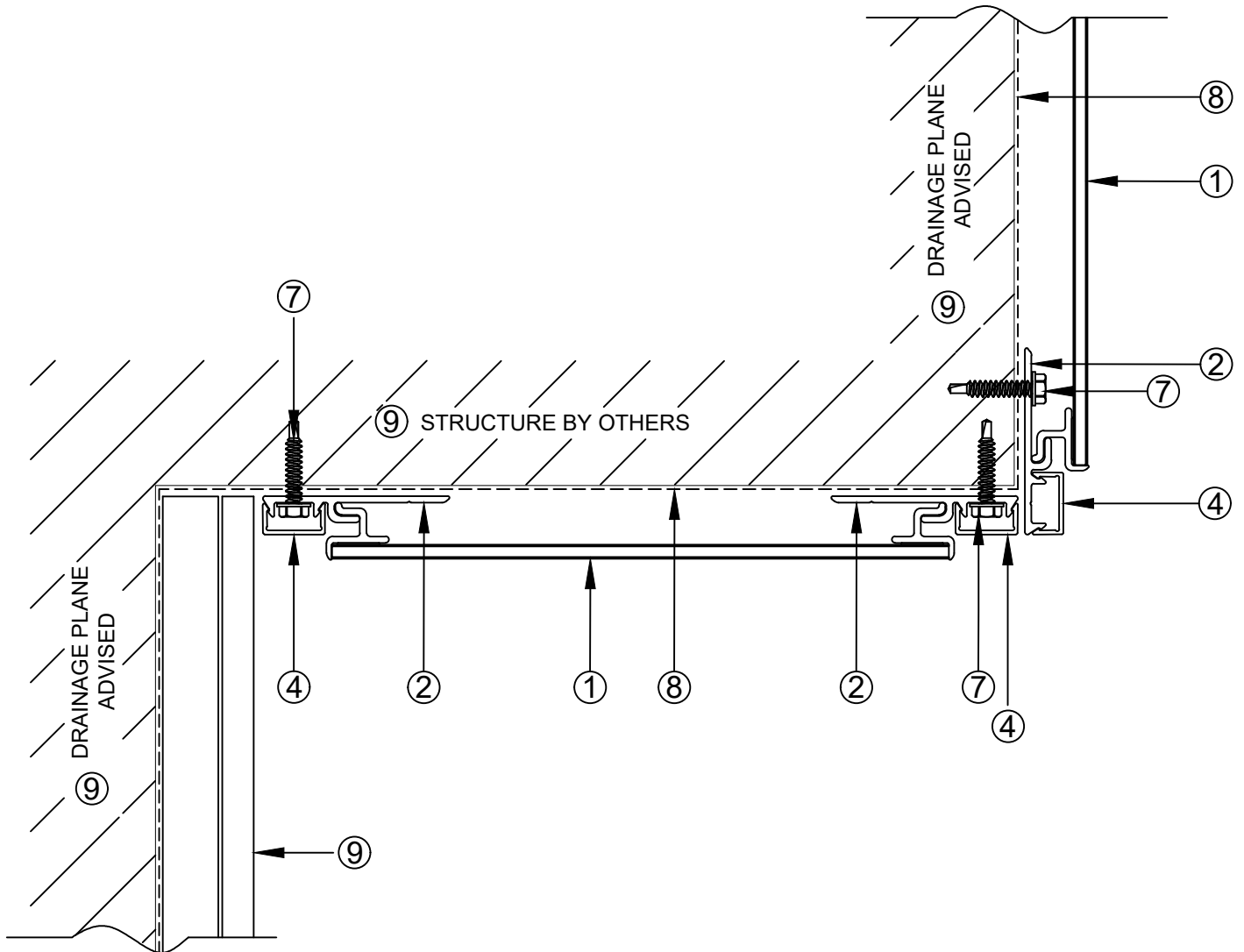
- ① DIZAL PANEL SYSTEM
- ② STARTER / CONTOUR EXTRUSION
- ③ DOUBLE FASTENING STRIP
- ④ SNAP-IN SCREW COVER STRIP
- ⑤ EXTRUDED FILLER STRIP
- ⑥ CORNER EXTRUSION
- ⑦ STAINLESS STEEL FASTENER
- ⑧ WEATHER BARRIER - BY OTHERS
- ⑨ BY OTHERS

**DIZAL**

**SOFFIT DETAIL - SECTION VIEW  
ALUMINUM ARCHITECTURAL PANEL SYSTEM**

Date 03.10.2021

Scale 6" = 1'-0"



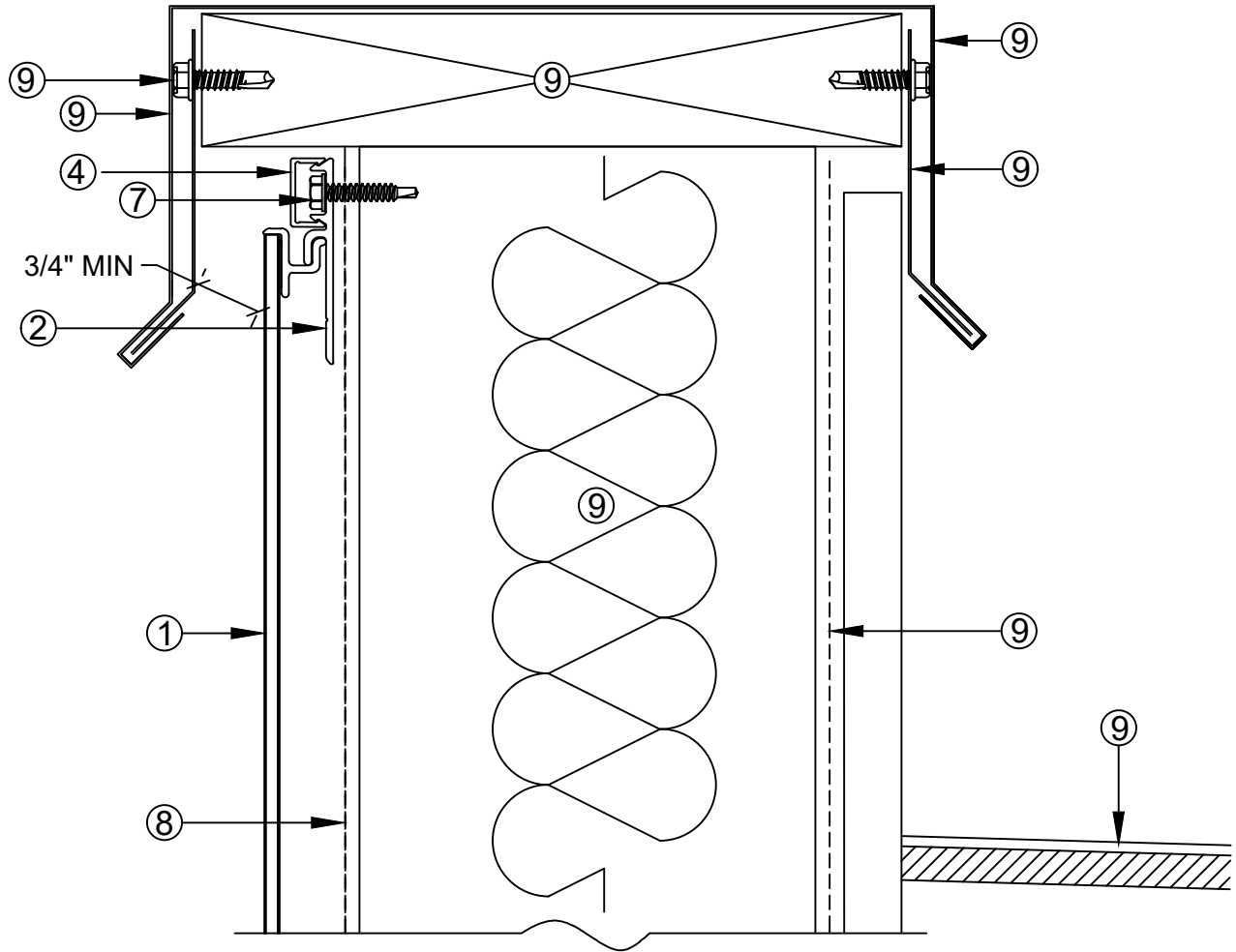
- ① DIZAL PANEL SYSTEM
- ② STARTER / CONTOUR EXTRUSION
- ③ DOUBLE FASTENING STRIP
- ④ SNAP-IN SCREW COVER STRIP
- ⑤ EXTRUDED FILLER STRIP
- ⑥ CORNER EXTRUSION
- ⑦ STAINLESS STEEL FASTENER
- ⑧ WEATHER BARRIER - BY OTHERS
- ⑨ BY OTHERS

**DIZAL**

SOFFIT DETAIL - SECTION VIEW  
**ALUMINUM ARCHITECTURAL PANEL SYSTEM**

Date 03.10.2021

Scale 6" = 1'-0"



- ① DIZAL PANEL SYSTEM
- ② STARTER / CONTOUR EXTRUSION
- ③ DOUBLE FASTENING STRIP
- ④ SNAP-IN SCREW COVER STRIP
- ⑤ EXTRUDED FILLER STRIP
- ⑥ CORNER EXTRUSION
- ⑦ STAINLESS STEEL FASTENER
- ⑧ WEATHER BARRIER - BY OTHERS
- ⑨ BY OTHERS

**DIZAL**

PARAPET DETAIL - SECTION VIEW  
**ALUMINUM ARCHITECTURAL PANEL SYSTEM**

Date 03.10.2021

Scale 6" = 1'-0"