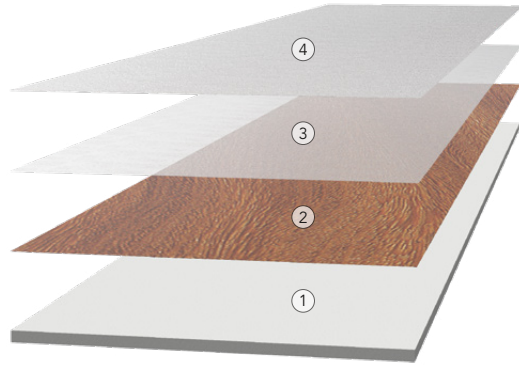


Cellular PVC Accessories Decking Corner

TECHNICAL DATA SHEET



1. CELLULAR PVC

Strong and sturdy cellular pvc accessories perfectly matching texture and color of planks.

Decking corner can be used around entire periphery of deck, including stairs.

Specially designed to be used with D-Clip, eliminating the need for screws on the most visible surface portions of the deck. Color-matching screws should be used on the face of the corner.

2. HD PRINTING

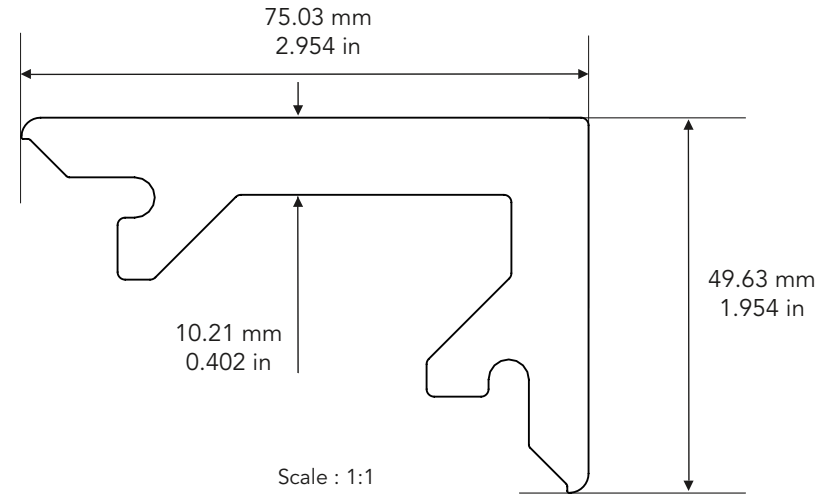
High-definition digital inkjet printing (± 1 mil. thick) is used to create photographic reproductions of a wide range of textures and outstanding color variations.

3. UV BARRIER

A protective clear coat ($\pm 1,2$ mil. thick) is applied to provide long-term protection against UV rays and fading.

4. TOP-COAT

The final layer is a special transparent aluminum-oxide UV top-coat ($\pm 1,0$ mil. thick), with a light granular texture, offering optimal resistance to abrasion and slip.



Name :	Job # :	Color :	Date :
	Model : PD-CO-1201	Product : Cellular PVC decking accessory	Initials :
	Length : 3.65 m / 12 ft	Material : Cellular PVC	
	Drawing by: JCC	Weight per piece: 3.15 kg / 6.90 lb	
	Date: 19-02-21		