

Cellular PVC Decking D-Clip

TECHNICAL DATA SHEET



1. D-CLIP

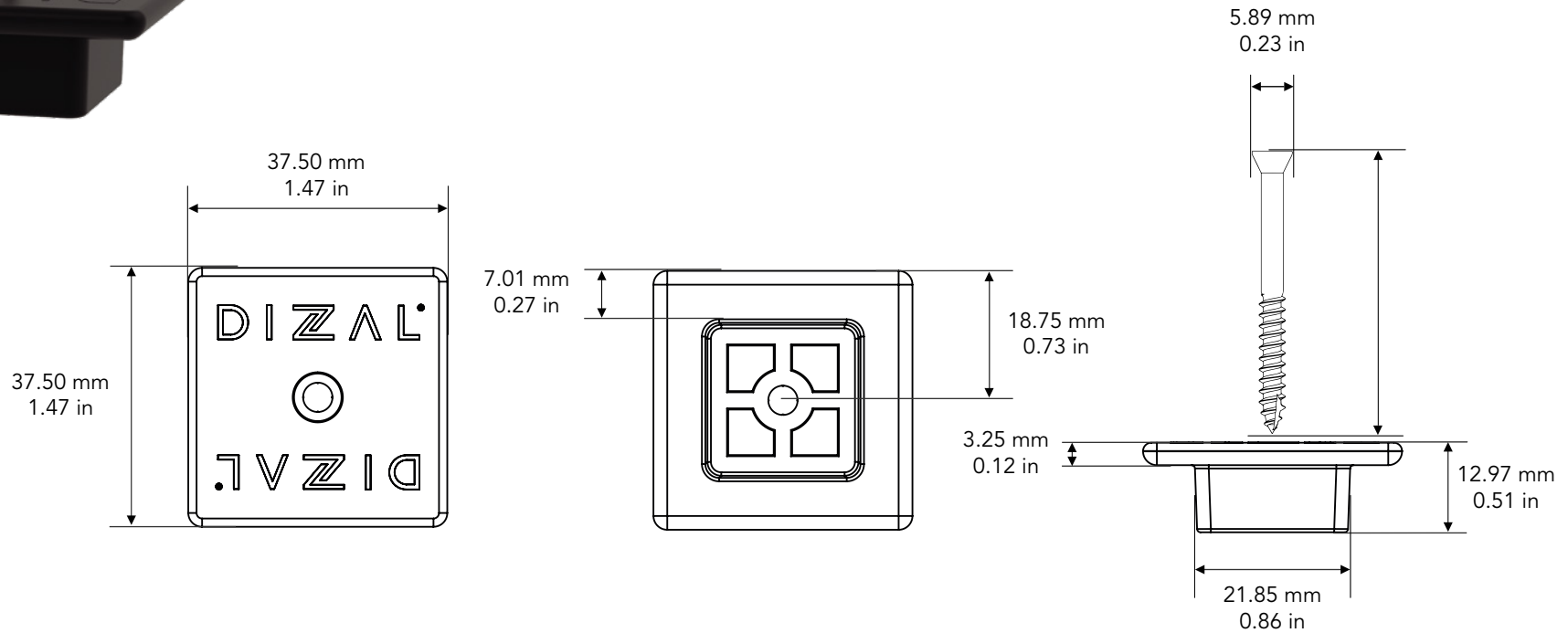
D-Clip is exclusive to Dizal's Cellular PVC Decking product line and offers a quick and easy installation of planks. With its unique design, installation of planks and corners can be done by anyone and leaves no visible screws on decking surface.

Spacing is constant at 0.25 inches (6.35 mm).

The D-Clip fastening system can be used on four sides, allowing for secure fastening of planks and corners at the same time.

2. Screw #7 x 1-5/8"

Stainless steel 305 with square head, auger point and matte black custom painted head.



Name:	Job # :	Color : Black	Date :
	Model : PD-CL-0050	Product : Cellular PVC Decking D-Clip	Initials :
	Length : N-A	Material : Glass Reinforced Nylon	
	Drawing by : JCC Date: 11/11/20	Weight per piece: 0.020 kg / 0.044 lbs	
		Weight per box (50 units) : 1.0 kg / 2.2 lbs	Sheet size: 8.5"x11"