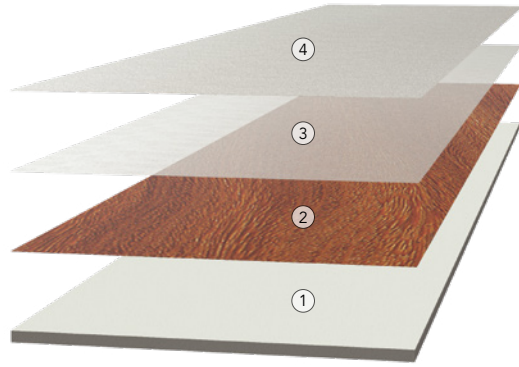


Cellular PVC Decking 2"x3" Corner

TECHNICAL DATA SHEET



1. CELLULAR PVC

Microbubble-infused polymer composite 10.21 mm (0.402 in) thick. A rigid and durable material with superior hail, impact, and scratch resistance, that can be worked as easily as real wood.

Decking Corner can be used around entire periphery of deck, including stairs.

Specially designed to be used with D-Clip, eliminating the need for screws on the most visible surface portions of the deck. Color-matching screws should be used on the face of the corner.

2. HD PRINTING

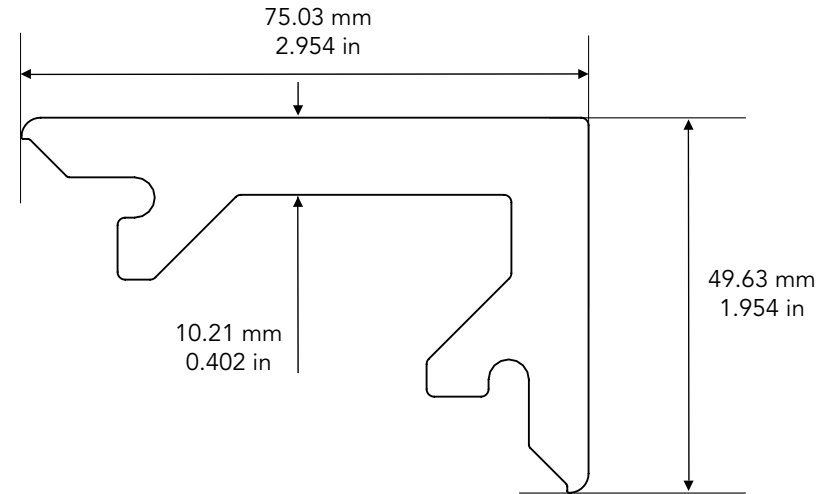
High-definition digital inkjet print ± 1 mil (25.4 μm) thick of a wide range of textures with outstanding color variations.

3. TOP-COAT

Granular slip and abrasion resistance through a superior transparent UV coating.

4. Z-CLEAR


A protective clear coat ± 1.2 mils (30.48 μm) thick is applied to provide long-term protection against fading.



Tests & Certifications*

- . ASTM D256 - Impact Resistance
- . ASTM D638 - Tensile Properties Testing
- . ASTM D790 - Flexural Properties Testing
- . ASTM G155 - 2000h UV Resistance
- . ASTM D3359 - Adhesion Testing
- . ASTM D4060 - Abrasion Resistance

* see website for full details

Name :	Job # :	Color :	Date :
	Model : PD-CO-0701	Product : Cellular PVC Decking Corner	Initials :
	Length : 2.20 m / 7.2 ft	Material : Cellular PVC	
	Drawing by: JCC Date: 11/11/20	Weight per piece: 3.15 kg / 6.90 lbs	
			Sheet size: 8.5 x 11