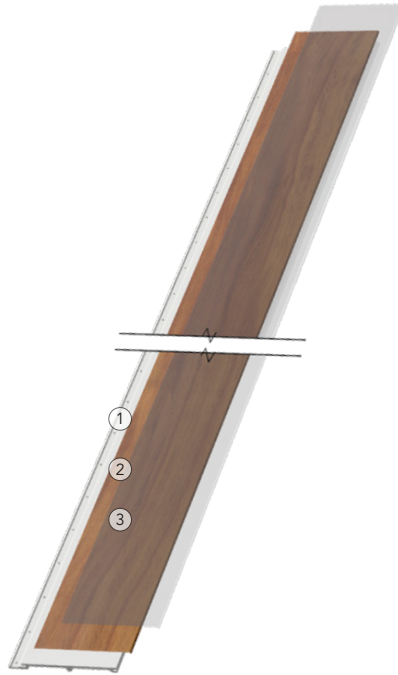


Cellular PVC Plank 7" Overlap

TECHNICAL DATA SHEET



1. CELLULAR PVC

Strong and sturdy 1/4 inch thick cellular pvc planks. The microbubble-infused polymer composite creates a rigid plank that can be worked as easily as real wood, resisting against wind, hail, impacts and scratches.

Pre-pierced holes spaced 4 " apart, to allow for fast and easy screw insertion.

All sizes of profiles interlock with each other with simple tongue and groove mating. (Detail A)

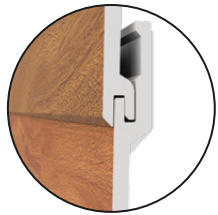
Installation can be made both vertically and horizontally.

2. HD PRINTING

High-definition digital inkjet printing (± 1 mil. thick) is used to create photographic reproductions of a wide range of textures and outstanding color variations.

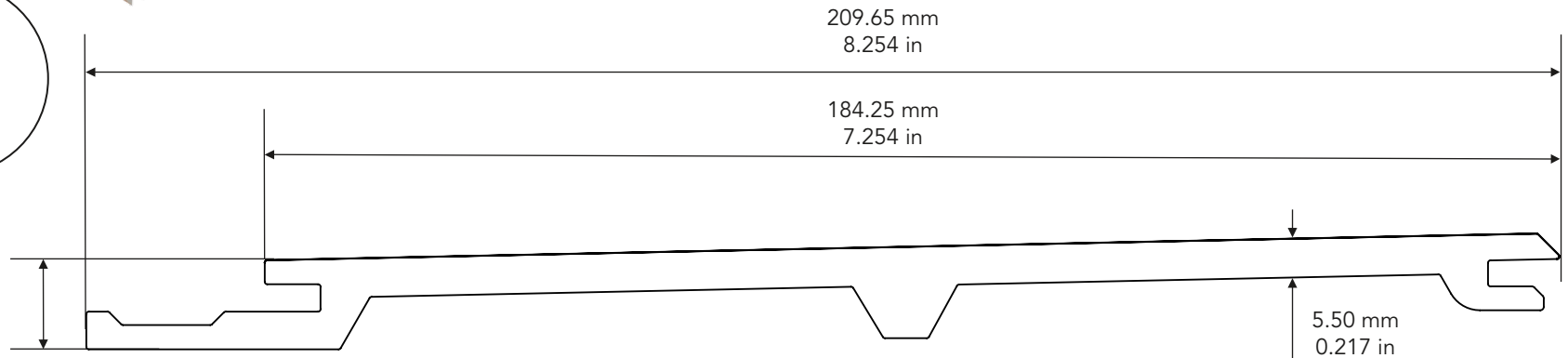
3. UV BARRIER

A protective clear coat ($\pm 1,2$ mil. thick) is applied to provide long-term protection against UV rays and fading.




Detail A

12.71 mm
0.500 in



Scale : 1:1

Name :	Job # :	Color :	Date :
	Model : PS-OV7-1207	Product : Cellular PVC siding plank	Initials :
	Length : 3.65 m / 12 ft	Material : Cellular PVC	
	Drawing by: JCC	Weight per plank : 3.54 kg / 7.80 lbs	
	Date: 19-02-21	Weight per box (7 pcs) : 24.8 kg / 54.6 lbs	