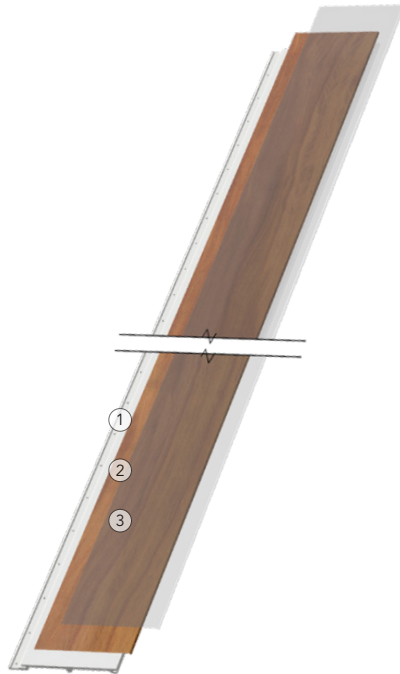


Cellular PVC Siding 4" Overlap Plank

TECHNICAL DATA SHEET



Detail A

1. CELLULAR PVC

Microbubble-infused polymer composite 5.50 mm (0.217 in) thick. A rigid and durable material with superior hail, impact, and scratch resistance, that can be worked as easily as real wood.

Pre-pierced holes spaced 4" (101 mm) apart, to allow for fast and easy screw insertion.

All sizes of profiles interlock with each other with simple tongue and groove mating. (Detail A)

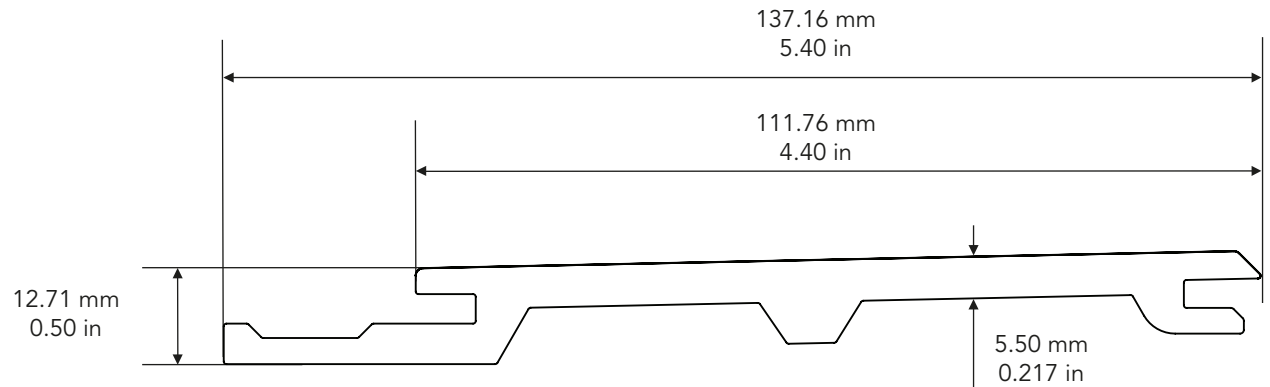
Installation can be made both vertically and horizontally.

2. HD PRINTING

High-definition digital inkjet print ± 1 mil (25.4 μm) thick of a wide range of textures with outstanding color variations.

3. Z-CLEAR


A protective clear coat ± 1.2 mils (30.48 μm) thick is applied to provide long-term protection against fading.



Tests & Certifications*

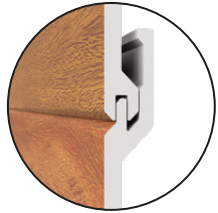
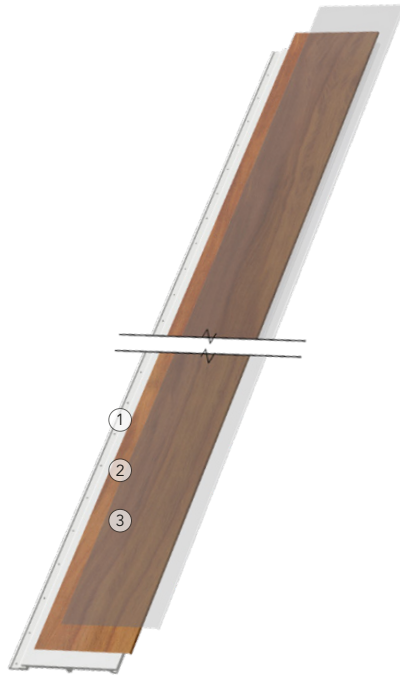
- . ASTM D256 - Impact Resistance
- . ASTM D638 - Tensile Properties Testing
- . ASTM D790 - Flexural Properties Testing
- . ASTM D6578 - Graffiti Resistance
- . ASTM G155 - 2000h UV Resistance
- . ASTM D3359 - Adhesion Testing

* see website for full details

Name :	Job # :	Color :	Date :
	Model : PS-OV4-1212	Product : 4" Overlap Plank	Initials :
	Length : 3.65 m / 12 ft	Material : Cellular PVC	
	Drawing by: JCC Date: 11/11/20	Weight per plank : 2.29 kg / 5.05 lbs	
		Weight per box (12 pcs) : 27.50 kg / 60 lbs	Sheet size: 8.5" x 11"

Cellular PVC Siding 4" V Groove Plank

TECHNICAL DATA SHEET



Detail A

1. CELLULAR PVC

Microbubble-infused polymer composite 5.50 mm (0.217 in) thick. A rigid and durable material with superior hail, impact, and scratch resistance, that can be worked as easily as real wood.

Pre-pierced holes spaced 4" (101 mm) apart, to allow for fast and easy screw insertion.

All sizes of profiles interlock with each other with simple tongue and groove mating. (Detail A)

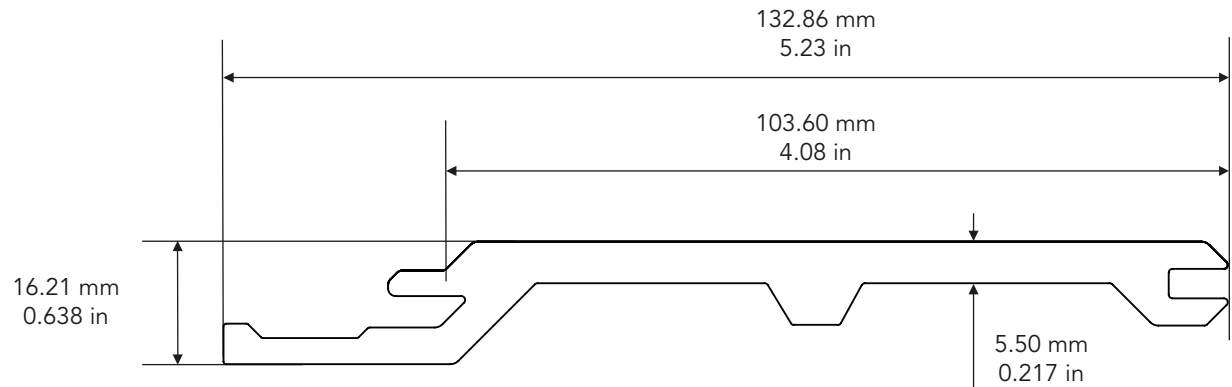
Installation can be made both vertically and horizontally.

2. HD PRINTING

High-definition digital inkjet print ± 1 mil (25.4 μm) thick of a wide range of textures with outstanding color variations.

3. Z-CLEAR


A protective clear coat ± 1.2 mils (30.48 μm) thick is applied to provide long-term protection against fading.



Tests & Certifications*

- . ASTM D256 - Impact Resistance
- . ASTM D638 - Tensile Properties Testing
- . ASTM D790 - Flexural Properties Testing
- . ASTM D6578 - Graffiti Resistance
- . ASTM G155 - 2000h UV Resistance
- . ASTM D3359 - Adhesion Testing

* see website for full details

Name :	Job # :	Color :	Date :
	Model : PS-VG4-1212	Product : 4" V Groove Plank	Initials :
	Length : 3.65 m / 12 ft	Material : Cellular PVC	
	Drawing by: JCC Date: 11/11/20	Weight per plank : 2.29 kg / 5.05 lbs	
		Weight per box (12 pcs) : 27.50 kg / 60 lbs	Sheet size: 8.5" x 11"

Cellular PVC Siding 7" Overlap Plank

TECHNICAL DATA SHEET



1. CELLULAR PVC

Microbubble-infused polymer composite 5.50 mm (0.217 in) thick. A rigid and durable material with superior hail, impact, and scratch resistance, that can be worked as easily as real wood.

Pre-pierced holes spaced 4" (101 mm) apart, to allow for fast and easy screw insertion.

All sizes of profiles interlock with each other with simple tongue and groove mating. (Detail A)

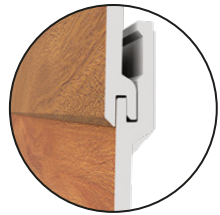
Installation can be made both vertically and horizontally.

2. HD PRINTING

High-definition digital inkjet print ± 1 mil (25.4 μm) thick of a wide range of textures with outstanding color variations.

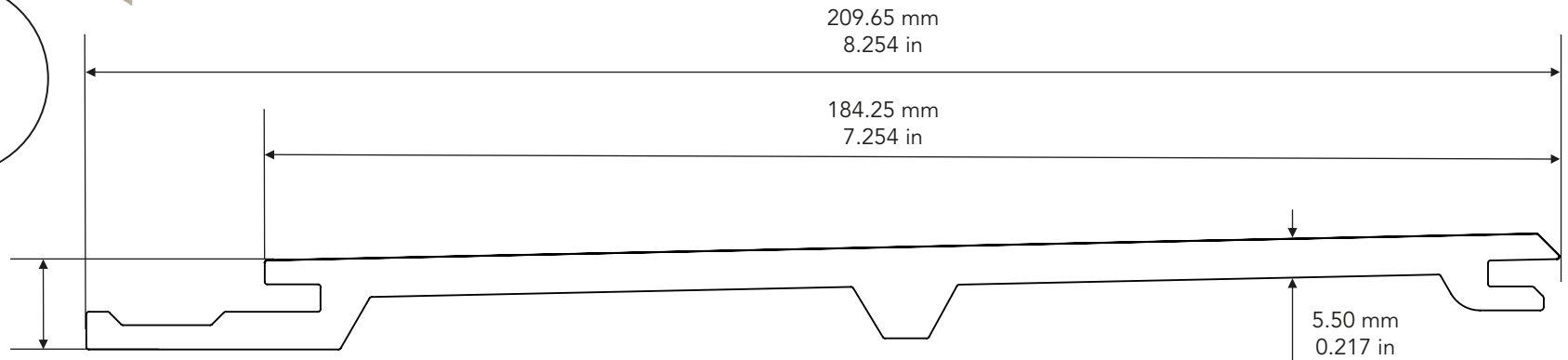
3. Z-CLEAR

A protective clear coat ± 1.2 mils (30.48 μm) thick is applied to provide long-term protection against fading.



Detail A


12.71 mm
0.500 in



Tests & Certifications*

- . ASTM D256 - Impact Resistance
- . ASTM D638 - Tensile Properties Testing
- . ASTM D790 - Flexural Properties Testing
- . ASTM D6578 - Graffiti Resistance
- . ASTM G155 - 2000h UV Resistance
- . ASTM D3359 - Adhesion Testing

* see website for full details

Name :	Job # :	Color :	Date :
	Model : PS-OV7-1207	Product : 7" Overlap Plank	Initials :
	Length : 3.65 m / 12 ft	Material : Cellular PVC	
	Drawing by: JCC Date: 11/11/20	Weight per plank : 3.54 kg / 7.80 lbs	
		Weight per box (7 pcs) : 24.8 kg / 54.6 lbs	Sheet size: 8.5" x 11"