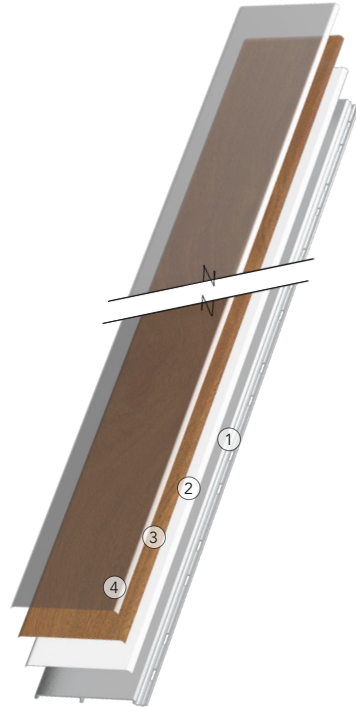


Aluminum Soffit Plank 4" Flat

TECHNICAL DATA SHEET



1. ALUMINUM

6063-T5 Aluminum extrusion 1.60 mm (0.062 in) thick recognised as the industry's first choice for its exceptional durability. Planks are designed to allow air circulation and water drainage.

Two oblong holes 1 " X 0,125 " , spaced 2 " apart, all being repeated every 4 " to allow for fast and easy screw insertion.

All sizes of profiles interlock with each other with simple tongue and groove mating. (Detail A)

In every 8 foot soffit plank, there are 5,75 square inches of ventilation.

2. PRIMER COAT

Primer coat (±1,2 mil. thick) applied to ensure perfect adhesion between aluminum and ink.

3. HD PRINTING

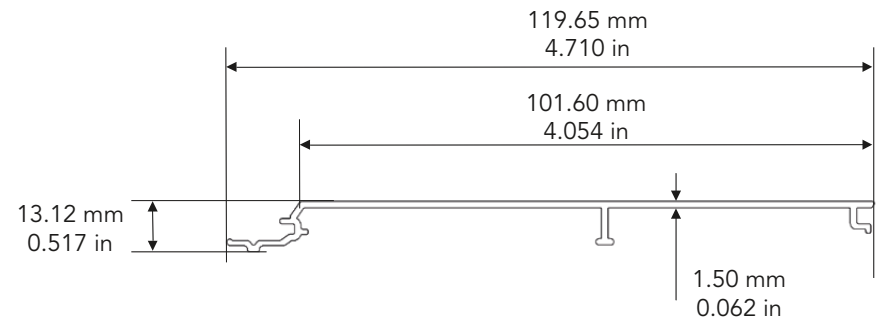
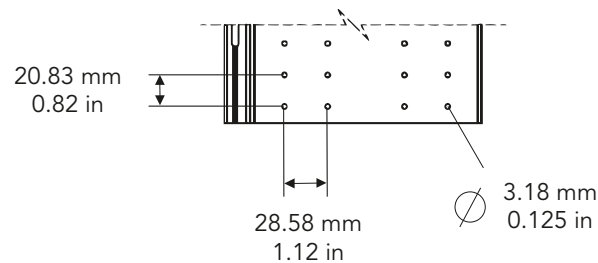
High-definition digital inkjet printing (±1 mil. thick) is used to create photographic reproductions of a wide range of textures and outstanding color variations.

4. UV BARRIER

A protective clear coat (±1,2 mil. thick) is applied to provide long-term protection against UV rays and fading.




Detail A



Tests & Certifications*

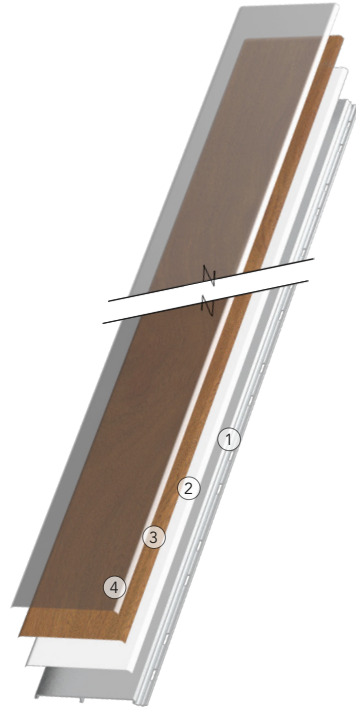
- . CAN/ULC S102 - Fire Resistance
- . CAN/ULC S114 - Fire Resistance
- . ASTM E84 - Fire Resistance
- . NFPA 285 - Fire Resistance
- . ASTM D6578 - Graffiti Resistance
- . ASTM G155 - UV Resistance
- . ISO 7895 / ASTM E330 - Wind Load
- . ISO 7895 - Impact Resistance
- . ASTM D3359 - Adhesion testing
- . ASTM D4060 (CS-17) - Abrasion Resistance
- . Florida Building Code (FBC) compliance
- . LEED V4

* see website for full details

Name :	Job # :	Color :	Date :
	Model : FP-04FV-0801	Product : Aluminum siding soffit	Initials :
	Length : 2.43 m / 8 ft	Material : Aluminum 6063-T5	
	Drawing by: JCC Date: 18-11-22	Weight per plank : 1.64 kg / 3.62 lb	

Aluminum Soffit Plank 6" V Groove

TECHNICAL DATA SHEET



1. ALUMINUM

6063-T5 Aluminum extrusion 1.73 mm (0.068 in) thick recognised as the industry's first choice for its exceptional durability. Planks are designed to allow air circulation and water drainage.

Two oblong holes 1" X 0,125", spaced 2" apart, all being repeated every 4" to allow for fast and easy screw insertion.

All sizes of profiles interlock with each other with simple tongue and groove mating. (Detail A)

In every 8 foot soffit plank, there are 5,75 square inches of ventilation.

2. PRIMER COAT

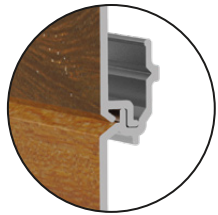
Primer coat (±1,2 mil. thick) applied to ensure perfect adhesion between aluminum and ink.

3. HD PRINTING

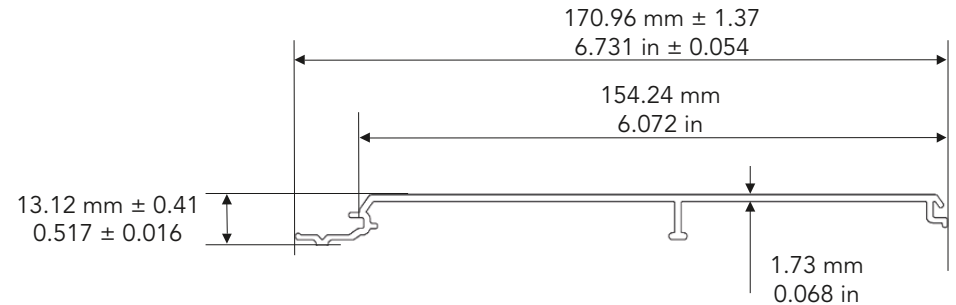
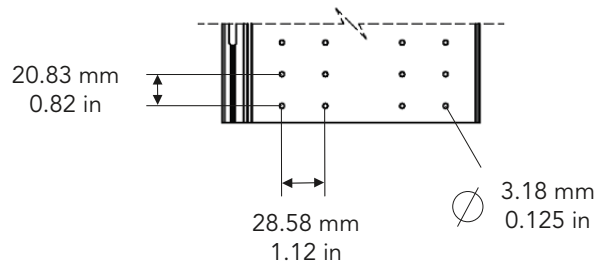
High-definition digital inkjet printing (±1 mil. thick) is used to create photographic reproductions of a wide range of textures and outstanding color variations.

4. UV BARRIER

A protective clear coat (±1,2 mil. thick) is applied to provide long-term protection against UV rays and fading.



Detail A



Tests & Certifications*

- . CAN/ULC S102 - Fire Resistance
- . CAN/ULC S114 - Fire Resistance
- . ASTM E84 - Fire Resistance
- . NFPA 285 - Fire Resistance
- . ASTM D6578 - Graffiti Resistance
- . ASTM G155 - UV Resistance
- . ISO 7895 / ASTM E330 - Wind Load
- . ISO 7895 - Impact Resistance
- . ASTM D3359 - Adhesion testing
- . ASTM D4060 (CS-17) - Abrasion Resistance
- . Florida Building Code (FBC) compliance
- . LEED V4

* see website for full details

Name :	Job # :	Color :	Date :
	Model : FP-06VV-0806	Product : Aluminum siding soffit	Initials :
	Length : 2.43 m / 8 ft	Material : Aluminum 6063-T5	
	Drawing by: JCC	Weight per plank : 1.64 kg / 3.62 lb	
	Date: 18-11-22	Weight per box (6 pcs) : 9.84 kg / 21.72 lb	