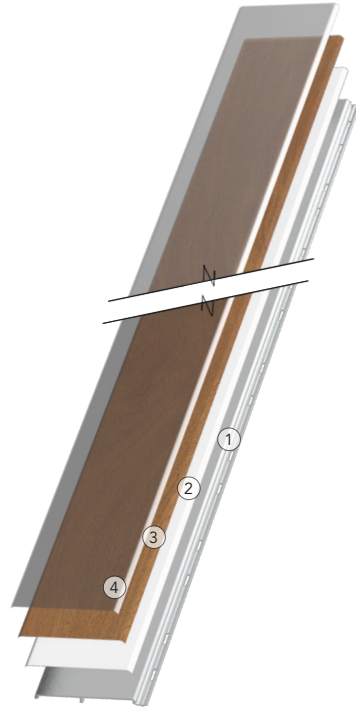


Aluminum Siding 4" Plank, Flat Profile

TECHNICAL DATA SHEET



1. ALUMINUM

6063-T5 Aluminum extrusion 1.60 mm (0.062 in) thick, recognized as the industry's first choice for its exceptional durability.

Two oblong holes 1" x 0.125", (25.4 mm x 3.175 mm), spaced 2" (50 mm) apart, all being repeated every 4" (101 mm) to allow for fast and easy screw insertion.

All sizes of profiles interlock with each other with simple tongue and groove mating. (Detail A)

Installation can be made both vertically and horizontally.

2. PRIMER COAT

Specially formulated primer coat ±1.2 mils (30.48 µm) thick assures optimal adhesion between aluminum and ink.

3. HD PRINTING

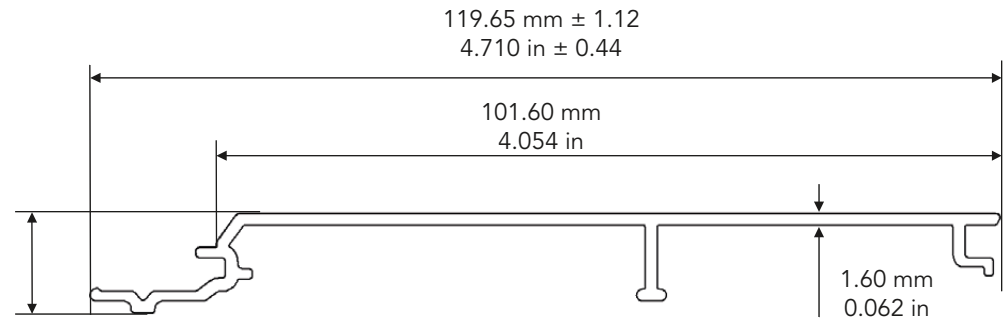
High-definition digital inkjet print ±1 mil (25.4 µm) thick of a wide range of textures with outstanding color variations.

4. Z-CLEAR

A protective clear coat ±1.2 mils (30.48 µm) thick is applied to provide long-term protection against fading.



Detail A



Tests & Certifications*

- . CAN/ULC S102 - Fire Resistance
- . CAN/ULC S114 - Fire Resistance
- . ASTM E84 - Fire Resistance
- . NFPA 285 - Fire Resistance
- . ASTM D6578 - Graffiti Resistance
- . ASTM G155 - UV Resistance
- . ISO 7895 / ASTM E330 / ASTM E1592 - Wind Load
- . ISO 7895 - Impact Resistance
- . ASTM D3359 - Adhesion Testing
- . Florida Building Code (FBC) compliance
- . LEED V4

* see website for full details

Name :	Job # :	Color :	Date :
	Model : FP-04F-1618	Product : Aluminum siding 4" F plank	Initials :
	Length : 4.87 m / 16 ft	Material : Aluminum 6063-T5	
	Drawing by: JCC Date: 11/11/20	Weight per plank : 3.28 kg / 7.23 lbs	
		Weight per box (18 pcs) : 60 kg / 132 lbs	Sheet size: 8.5" x 11"